

SUPER JOIST & SUPERMAXX JOIST



**Super
Stud**[™]
Building Products, Inc.

STEEL JOIST SYSTEM PRODUCT CATALOG

BUYSUPERSTUD.COM | AMERICAN OWNED & OPERATED SINCE 1973

LONGER SPANS. BIGGER LOADS. STRONGER STEEL.

TABLE OF CONTENTS

SUPERMAXX JOIST



SuperMAXX Joists feature a double flange return. Super Joist offers the same reinforcement punchout, but with a single flange return.

SUPERJOIST

Single
Return Flange



SUPERMAXXJOIST

Double
Return Flange



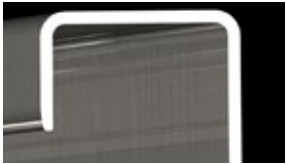

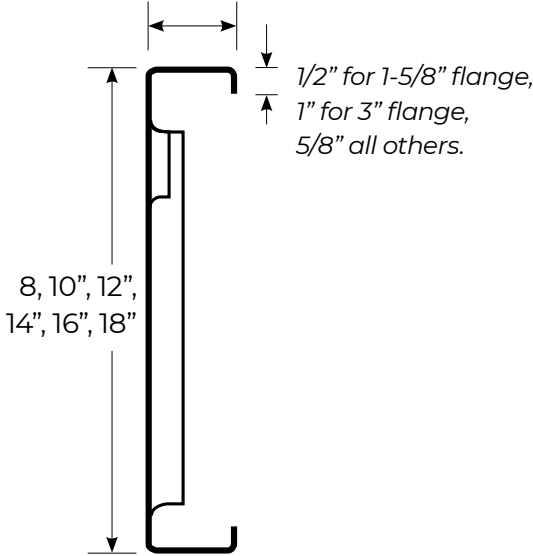
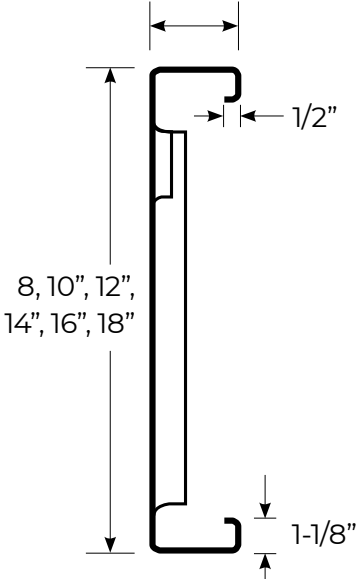
CONTENTS

3	Member Identification & Sizing
4	Hole Size, Spacing & Material Thickness
5 - 13	Physical & Structural Section Properties
7 - 8	Super Joist Section Properties
9 - 13	SuperMAXX Joist Properties
14 - 51	Maximum Floor Joist Spans
16 - 33	Super Joist Spans
34 - 51	SuperMAXX Joist Spans

ORDER TODAY!

For more information visit www.BuySuperStud.com or call 732-662-6200

MEMBER IDENTIFICATION & MEMBER SIZING

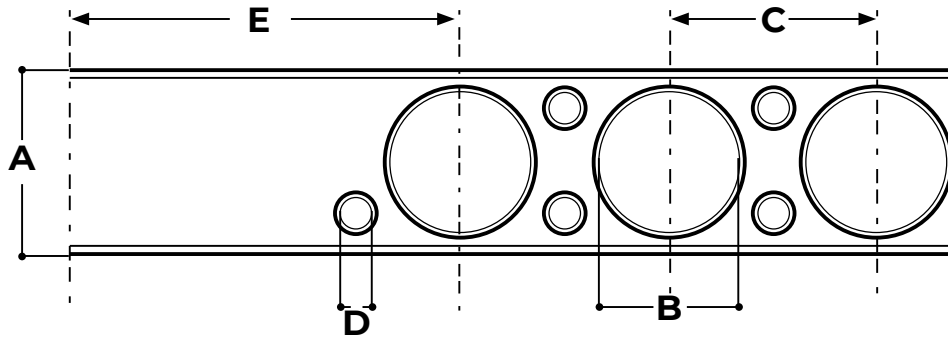
	<i>SUPERJOIST</i>	<i>SUPERMAXXJOIST</i>
JOIST ID	<p>[SJ] Indicates Single Return Flange <i>Example: 1000 SJ 350-118 =</i> 10" Web, 3-1/2" Flange with Single Return, 118 mil (10 Ga.)</p>	<p>[SMX] Indicates Double Return Flange <i>Example: 1000 SMX 350-118 =</i> 10" Web, 3-1/2" Flange with Double Return, 118 mil (10 Ga.)</p>
FLANGE	<p style="text-align: center;">Single Return Flange</p> 	<p style="text-align: center;">Double Return Flange</p> 
MEMBER SIZING	<p style="text-align: center;">1-5/8", 2", 2-1/2", 3, 3-1/2"</p>  <p style="text-align: center;">8, 10", 12", 14", 16", 18"</p> <p style="text-align: center;">1/2" for 1-5/8" flange, 1" for 3" flange, 5/8" all others.</p>	<p style="text-align: center;">2", 2-1/2", 3, 3-1/2"</p>  <p style="text-align: center;">8, 10", 12", 14", 16", 18"</p> <p style="text-align: center;">1/2"</p> <p style="text-align: center;">1-1/8"</p>

HOLE SIZING, SPACING & MATERIAL THICKNESS

SUPERJOIST & SUPERMAXXJOIST

NOTE: SUPER JOIST & SUPERMAXX JOIST IDENTICAL HOLE PATTERN & SPACING

Typ. Spacing Diagram



Typical Joist Member Sizing

A	B	C	D	E
Section Web Depth (in.)	Large Hole Diameter (in.)	Large Hole Spacing (in. O.C.)	Small Hole Diameter (in.)	Min. Distance from end to center of First Large Hole (in.)
8	4.25	9	1	22
10	6.5	12	2.25	33
12	8.25	12	2.25	33
14	8.25	12	2.25	33
16	12.25	18	3.25	44
18	12.25	18	3.25	44

The Complete Floor Framing System!

- Super Joist & SuperMAXX Joist
- Track
- Blocking
- Web Stiffeners
- Joist Hangers

BUYSUPERSTUD.COM

Steel Thickness Table

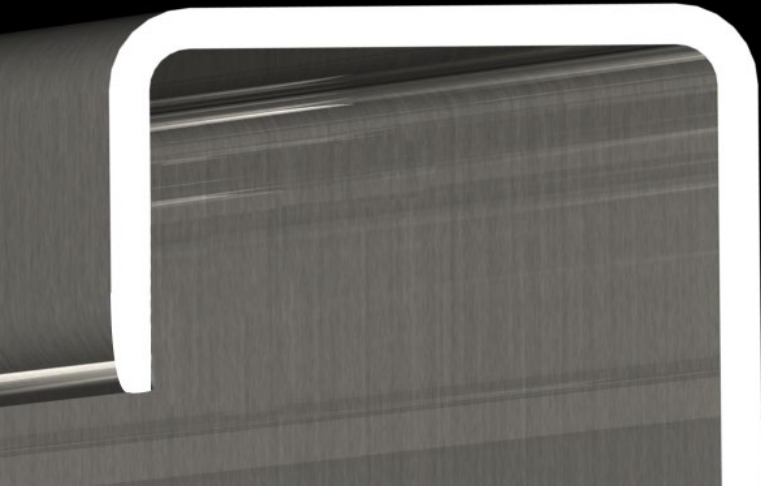
Product		Design Thickness	Min. Bare Steel Tkns.	ASTM C955 Color Code
Mils	Gauge	(in.)	(in.)	
33	20	0.0346	0.0329	White
43	18	0.0451	0.0428	Yellow
54	16	0.0566	0.0538	Green
68	14	0.0713	0.0677	Orange
97	12	0.1017	0.0966	Red
118	10	0.1242	0.1180	Blue

For more Information, visit our website at www.BuySuperStud.com or contact our team at 732-662-6200

This information reflects the most current information available and supersedes all previous publications. Revised March 2020.

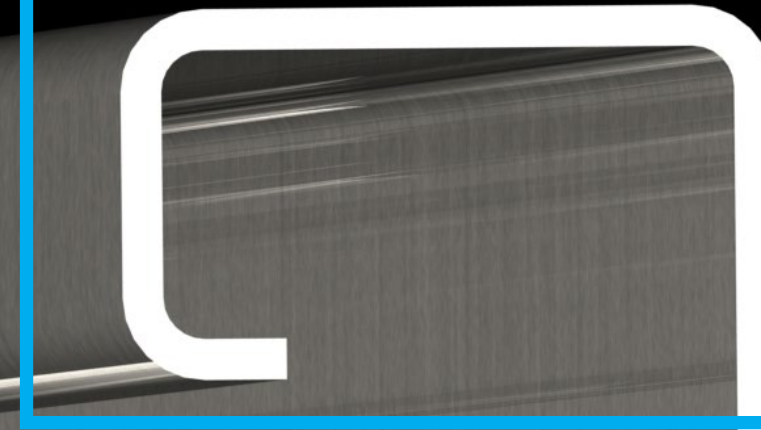
© Super Stud Building Products, Inc.

***SUPER*JOIST**



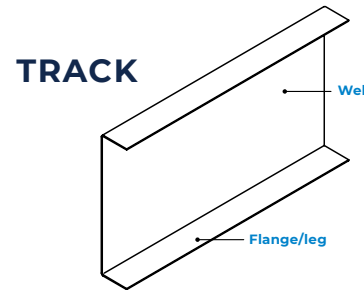
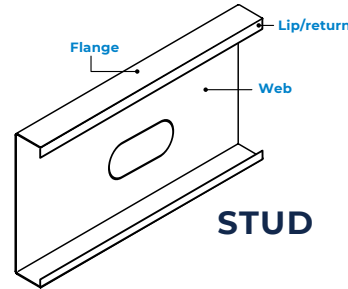
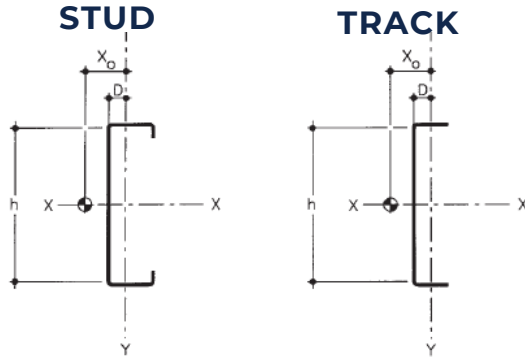
**PHYSICAL AND STRUCTURAL
SECTION PROPERTIES**

***SUPERMAXX*JOIST**



*SHEETS WITH CYAN BORDER INDICATE SUPERMAXX
PRODUCT WITH DOUBLE RETURN FLANGE*

SECTION PROPERTIES TERMS, DEFINITIONS & NOTES



TERMS AND DEFINITIONS

- Area** Cross-sectional area of gross section, inch²
- Beta** $1 - (X_o/R_o)^2$
- C_w** Torsional warping constant, inch⁶
- D** Distance from the Y axis to outside of web, inch
- F_u** Ultimate Strength (KSI)
- F_y** Yield Strength (KSI)
- h/t** Flat web to thickness ratio
- I_x, I_y** Moment of inertia of gross section about applicable axis, inch⁴
- Jx 1000** St. Venant torsional constant, inch⁴, multiplied by 1000
- L_{xe}, L_{ye}** Effective moment of inertia about the X-axis and Y-axis respectively.
- M_{ax}** Allowable bending moment about the X axis - Based on the effective section modulus and the allowable stress including the strength increase from the cold-work of forming (Section A7.2) where applicable.
- M_{ay}** Allowable bending moment about the Y axis - Based on the effective section modulus and the allowable stress including the strength increase from the cold-work of forming (Section A7.2) where applicable.
- R_o** Polar radius of gyration about the shear center, inch
- R_x, R_y** Radius of gyration of gross section about applicable axis, inch
- S_{xe}, S_{ye}** Effective section modulus about the X-X axis (strong axis) or Y-Yaxis (weak axis) respectively, at stress = F_y
- V_a** Allowable shear force through an unpunched web, kips (1000 pounds)
- Weight** Pounds per linear foot, PLF
- X_o** Distance from shear center to centroid along the principal axis, inch

NOTES:

- Section properties were prepared in accordance with the North American Specification for the Design of Cold Formed Steel Structural Members, 2007 edition.
- Allowable bending moment, M_a, was calculated in accordance with AISI Section C3.1, Procedure 1, based on the initiation of yield in the effective section.
- Bearing stiffeners are required for all components where the h/t ratio exceeds 200.
- S_{xe} and S_{ye} are based on the effective section stressed at yield. Reference AISI Section B2.
- M_a & V_a are based on steel meeting the minimum requirements of the following specifications:

	ASTM A1003 (F _y (min)= 50 KSI)	ASTM A1003 (F _y (min)= 33 KSI)
Studs	97, 68 & 54* mils	43 & 33 mils
Track & Accs.	97* & 68* mils	54*, 43 & 33 mils

F_y = Minimum Yield Point

* F_y=33KSI, 50 KSI must be specified at time of order.

- The structural properties and load tables were prepared using the following base steel design thicknesses:

33 mils:	0.0346 inch
43 mils:	0.0451 inch
54 mils:	0.0566 inch
68 mils:	0.0713 inch
97 mils:	0.1017 inch
118 mils:	0.1242 inch

For more information, visit our website at www.BuySuperStud.com or contact our team at 732-662-6200

This information reflects the most current information available and supersedes all previous publications. Revised March 2020.

© Super Stud Building Products, Inc.



SECTION PROPERTIES 4" - 8" STRUCTURAL STUDS & JOISTS

Member Designation	Weight lbs/ft	M _a K-in	V _a Kip	Area in ²	I _x in ⁴	S _x in ³	R _x in	I _y in ⁴	S _y in ³	R _y in	D in	JX1000 in ⁴	C _w in ⁶	R _o in	X _o in	Beta
400SJ200-97	2.853	31.051	7.102	0.838	2.103	1.037	1.584	0.421	0.292	0.709	0.655	2.890	1.427	2.342	-1.574	0.549
400SJ250-97	3.393	38.425	7.102	0.997	2.595	1.283	1.613	0.875	0.526	0.937	0.952	3.438	3.587	2.926	-2.255	0.406
550SJ137-33	1.042	9.365	0.652	0.306	1.313	0.474	2.071	0.072	0.061	0.485	0.337	0.122	0.443	2.307	-0.893	0.850
550SJ162-33	1.115	10.104	0.652	0.328	1.465	0.529	2.114	0.114	0.083	0.590	0.435	0.131	0.705	2.469	-1.132	0.790
550SJ137-43	1.339	11.929	1.452	0.394	1.673	0.604	2.062	0.088	0.076	0.474	0.330	0.267	0.536	2.286	-0.866	0.857
550SJ162-43	1.454	13.556	1.452	0.427	1.900	0.686	2.108	0.149	0.113	0.590	0.443	0.290	0.929	2.469	-1.142	0.786
550SJ137-54	1.676	22.448	2.902	0.493	2.078	0.750	2.054	0.110	0.096	0.473	0.337	0.526	0.678	2.282	-0.876	0.853
550SJ162-54	1.821	25.510	2.902	0.535	2.360	0.852	2.100	0.185	0.142	0.589	0.450	0.571	1.174	2.467	-1.152	0.782
550SJ137-68	2.040	26.758	5.422	0.599	2.478	0.894	2.033	0.118	0.103	0.444	0.314	1.016	0.714	2.233	-0.809	0.869
550SJ162-68	2.237	30.932	5.422	0.657	2.862	1.033	2.086	0.212	0.164	0.568	0.433	1.114	1.316	2.428	-1.103	0.794
600SJ137-33	1.057	9.899	0.596	0.311	1.513	0.501	2.207	0.055	0.049	0.420	0.269	0.124	0.396	2.362	-0.729	0.905
600SJ137-33	1.101	10.598	0.596	0.323	1.619	0.536	2.237	0.074	0.061	0.478	0.320	0.129	0.537	2.443	-0.857	0.877
600SJ162-33	1.174	11.415	0.596	0.345	1.801	0.597	2.284	0.117	0.084	0.582	0.414	0.138	0.853	2.597	-1.089	0.824
600SJ137-43	1.416	13.508	1.326	0.416	2.064	0.684	2.227	0.090	0.077	0.466	0.314	0.282	0.652	2.422	-0.830	0.882
600SJ162-43	1.531	15.301	1.326	0.450	2.336	0.774	2.279	0.153	0.113	0.582	0.422	0.305	1.123	2.596	-1.099	0.821
600SJ200-43	1.675	17.174	1.326	0.492	2.686	0.891	2.336	0.269	0.167	0.739	0.575	0.334	2.013	2.855	-1.467	0.736
600SJ250-43	1.848	18.661	1.326	0.543	3.116	1.032	2.396	0.475	0.241	0.935	0.778	0.368	3.594	3.222	-1.941	0.637
600SJ137-54	1.773	25.440	2.648	0.521	2.566	0.850	2.219	0.113	0.096	0.465	0.320	0.556	0.823	2.418	-0.840	0.879
600SJ162-54	1.917	28.817	2.648	0.563	2.904	0.963	2.270	0.190	0.142	0.581	0.428	0.602	1.418	2.593	-1.109	0.817
600SJ200-54	2.134	32.643	2.648	0.627	3.396	1.126	2.327	0.356	0.227	0.753	0.605	0.670	2.804	2.889	-1.538	0.717
600SJ250-54	2.362	35.484	2.648	0.694	3.947	1.305	2.384	0.632	0.332	0.954	0.821	0.741	5.132	3.280	-2.040	0.613
600SJ137-68	2.161	30.371	5.362	0.635	3.064	1.014	2.197	0.121	0.103	0.436	0.299	1.076	0.872	2.369	-0.774	0.893
600SJ162-68	2.358	34.975	5.362	0.693	3.525	1.168	2.255	0.218	0.165	0.561	0.413	1.174	1.596	2.555	-1.061	0.828
600SJ200-68	2.631	41.211	5.362	0.773	4.150	1.376	2.317	0.417	0.269	0.734	0.589	1.310	3.202	2.850	-1.488	0.727
600SJ250-68	2.995	47.731	5.362	0.880	4.947	1.642	2.371	0.812	0.444	0.960	0.844	1.491	6.877	3.305	-2.093	0.599
600SJ200-97	3.545	54.215	11.030	1.042	5.462	1.811	2.290	0.481	0.309	0.679	0.537	3.592	3.466	2.740	-1.343	0.760
600SJ250-97	4.086	66.226	11.030	1.201	6.665	2.212	2.356	1.012	0.558	0.918	0.799	4.139	7.943	3.204	-1.967	0.623
725SJ162-43	1.723	19.734	1.090	0.506	3.680	0.999	2.696	0.161	0.113	0.563	0.377	0.343	1.706	2.932	-1.006	0.882
725SJ200-43	1.867	22.027	1.090	0.549	4.197	1.141	2.766	0.284	0.167	0.720	0.518	0.372	3.031	3.162	-1.354	0.817
725SJ162-54	2.158	37.221	2.173	0.634	4.581	1.243	2.688	0.200	0.143	0.562	0.384	0.677	2.151	2.927	-1.014	0.880
725SJ200-54	2.375	41.947	2.173	0.698	5.318	1.446	2.761	0.377	0.227	0.735	0.547	0.745	4.176	3.190	-1.420	0.802
725SJ162-68	2.661	45.253	4.390	0.782	5.573	1.511	2.669	0.229	0.165	0.541	0.370	1.325	2.439	2.891	-0.969	0.888
725SJ200-68	2.934	52.973	4.390	0.862	6.508	1.769	2.747	0.441	0.269	0.715	0.532	1.461	4.808	3.153	-1.372	0.811
725SJ162-97	3.588	58.558	11.030	1.054	7.224	1.956	2.617	0.240	0.172	0.477	0.326	3.635	2.556	2.789	-0.835	0.910
725SJ200-97	3.977	69.871	11.030	1.169	8.594	2.334	2.711	0.508	0.310	0.659	0.484	4.030	5.319	3.051	-1.234	0.836
800SJ162-43	1.838	22.790	0.985	0.540	4.673	1.153	2.941	0.165	0.114	0.552	0.355	0.366	2.126	3.142	-0.958	0.907
800SJ200-43	1.982	25.181	0.985	0.582	5.307	1.312	3.019	0.292	0.167	0.708	0.489	0.395	3.764	3.360	-1.295	0.852
800SJ250-43	2.155	26.388	0.985	0.633	6.084	1.506	3.100	0.519	0.242	0.905	0.671	0.429	6.663	3.665	-1.734	0.776
800SJ162-54	2.302	43.016	1.962	0.677	5.822	1.437	2.933	0.205	0.143	0.551	0.361	0.722	2.679	3.137	-0.966	0.905
800SJ200-54	2.519	48.314	1.962	0.740	6.729	1.663	3.015	0.387	0.227	0.723	0.517	0.790	5.162	3.385	-1.358	0.839
800SJ250-54	2.748	50.919	1.962	0.807	7.731	1.912	3.094	0.694	0.333	0.927	0.709	0.862	9.310	3.710	-1.824	0.758
800SJ162-68	2.843	52.367	3.959	0.836	7.091	1.749	2.913	0.235	0.165	0.530	0.348	1.416	3.047	3.101	-0.921	0.912
800SJ200-68	3.116	60.981	3.959	0.916	8.242	2.037	3.000	0.454	0.270	0.704	0.503	1.552	5.964	3.349	-1.311	0.847
800SJ250-68	3.480	70.087	3.959	1.023	9.725	2.407	3.084	0.892	0.446	0.934	0.731	1.733	12.318	3.726	-1.872	0.748

Flange Width: SSCW=1-1/4", SSC=1-3/8", SSJ=1-5/8", SJW=2" and SSW=2-1/2"

For more information, visit our website at www.BuySuperStud.com or contact our team at 732-662-6200

This information reflects the most current information available and supersedes all previous publications. Revised March 2020.

© Super Stud Building Products, Inc.



SECTION PROPERTIES 8" - 16" STRUCTURAL STUDS & JOISTS

Member Designation	Weight lbs/ft	M _a K-in	V _a Kip	Area in ²	I _x in ⁴	S _x in ³	R _x in	I _y in ⁴	S _y in ³	R _y in	D in	JX1000 in ⁴	C _w in ⁶	R _o in	X _o in	Beta
800SJ162-97	3.848	68.023	11.030	1.131	9.223	2.272	2.856	0.246	0.173	0.466	0.307	3.898	3.218	3.000	-0.792	0.930
800SJ200-97	4.237	80.615	11.030	1.245	10.905	2.693	2.959	0.521	0.311	0.647	0.457	4.293	6.661	3.250	-1.178	0.869
800SJ250-97	4.778	97.324	11.030	1.404	13.137	3.251	3.059	1.110	0.562	0.889	0.691	4.841	14.658	3.636	-1.753	0.768
925SJ162-43	2.030	25.485	0.849	0.597	6.672	1.429	3.344	0.170	0.114	0.534	0.324	0.404	2.946	3.501	-0.888	0.936
925SJ250-43	2.174	28.263	0.639	0.639	7.526	1.614	3.432	0.303	0.168	0.689	0.448	0.433	5.199	3.703	-1.208	0.894
925SJ162-54	2.543	49.139	1.688	0.747	8.319	1.782	3.336	0.212	0.143	0.533	0.330	0.798	3.711	3.495	-0.895	0.934
925SJ200-54	2.760	54.733	1.688	0.811	9.551	2.048	3.432	0.403	0.228	0.705	0.474	0.866	7.090	3.726	-1.267	0.884
925SJ162-68	3.147	65.089	3.403	0.925	10.151	2.174	3.313	0.243	0.166	0.512	0.318	1.567	4.237	3.459	-0.853	0.939
925SJ200-68	3.420	75.194	3.403	1.005	11.712	2.511	3.414	0.472	0.271	0.685	0.461	1.703	8.229	3.690	-1.223	0.890
925SJ162-97	4.280	85.031	10.047	1.258	13.272	2.840	3.248	0.253	0.174	0.449	0.281	4.337	4.517	3.359	-0.730	0.953
925SJ200-97	4.670	99.757	10.047	1.372	15.547	3.332	3.366	0.540	0.313	0.627	0.420	4.731	9.295	3.595	-1.095	0.907
1000SJ162-54	2.687	52.165	1.558	0.790	10.094	2.003	3.575	0.216	0.143	0.523	0.314	0.843	4.424	3.714	-0.858	0.947
1000SJ200-54	2.904	58.457	1.558	0.853	11.544	2.293	3.678	0.411	0.228	0.694	0.452	0.911	8.422	3.936	-1.219	0.904
1000SJ250-54	3.133	62.108	1.558	0.921	13.131	2.611	3.777	0.740	0.334	0.896	0.626	0.983	15.084	4.219	-1.654	0.846
1000SJ162-68	3.329	73.245	3.138	0.978	12.329	2.446	3.550	0.247	0.166	0.502	0.303	1.658	5.060	3.677	-0.816	0.951
1000SJ200-68	3.602	84.246	3.138	1.058	14.166	2.814	3.658	0.481	0.272	0.674	0.440	1.794	9.795	3.901	-1.176	0.909
1000SJ250-68	3.965	96.031	3.138	1.165	16.549	3.290	3.768	0.952	0.448	0.904	0.646	1.975	19.827	4.231	-1.697	0.839
1000SJ162-97	4.540	95.981	9.253	1.334	16.167	3.206	3.481	0.257	0.174	0.439	0.268	4.600	5.417	3.577	-0.698	0.962
1000SJ200-97	4.929	111.989	9.253	1.449	18.840	3.740	3.606	0.550	0.314	0.616	0.400	4.994	11.122	3.807	-1.051	0.924
1000SJ250-97	5.470	133.419	9.253	1.607	22.419	4.456	3.735	1.182	0.566	0.858	0.610	5.542	23.993	4.146	-1.585	0.854
1150SJ162-54	2.976	58.517	1.350	0.875	14.323	2.477	4.047	0.222	0.144	0.504	0.286	0.934	6.066	4.154	-0.792	0.964
1150S250-54	3.422	70.614	1.350	1.006	18.377	3.182	4.275	0.767	0.335	0.874	0.575	1.074	20.531	4.630	-1.548	0.888
1150SJ162-68	3.693	83.505	2.716	1.085	17.526	3.031	4.019	0.253	0.166	0.483	0.277	1.839	6.957	4.117	-0.753	0.967
1150SJ250-68	4.329	109.335	2.716	1.272	23.181	4.014	4.268	0.989	0.449	0.882	0.595	2.156	26.910	4.639	-1.588	0.883
1150SJ162-97	5.059	119.570	7.990	1.487	23.105	3.994	3.942	0.264	0.175	0.421	0.246	5.126	7.493	4.016	-0.641	0.975
1150SJ250-97	5.989	163.121	7.990	1.760	31.468	5.448	4.228	1.226	0.568	0.835	0.561	6.068	32.829	4.557	-1.480	0.895
1200SJ162-54	3.073	60.691	1.292	0.903	15.947	2.645	4.202	0.224	0.144	0.498	0.278	0.964	6.679	4.302	-0.773	0.968
1200SJ200-54	3.289	68.622	1.292	0.967	18.067	2.998	4.323	0.429	0.229	0.666	0.403	1.032	12.644	4.512	-1.108	0.940
1200SJ250-54	3.518	73.465	1.292	1.034	20.373	3.382	4.439	0.776	0.335	0.866	0.560	1.104	22.568	4.770	-1.516	0.899
1200SJ162-68	3.814	86.019	2.599	1.121	19.524	3.237	4.174	0.255	0.167	0.477	0.269	1.899	7.665	4.265	-0.734	0.970
1200SJ200-68	4.087	103.953	2.599	1.201	22.208	3.685	4.300	0.501	0.272	0.646	0.392	2.035	14.762	4.477	-1.067	0.943
1200SJ250-68	4.451	113.355	2.599	1.308	25.704	4.267	4.433	1.000	0.449	0.874	0.580	2.216	29.557	4.779	-1.555	0.894
1200SJ162-97	5.232	127.935	7.642	1.538	25.781	4.273	4.095	0.265	0.175	0.416	0.239	5.301	8.268	4.163	-0.624	0.978
1200SJ200-97	5.621	147.361	7.642	1.652	29.674	4.922	4.238	0.572	0.315	0.588	0.357	5.695	16.927	4.383	-0.950	0.953
1200SJ250-97	6.162	173.525	7.642	1.811	34.917	5.796	4.391	1.239	0.568	0.827	0.547	6.243	36.137	4.697	-1.449	0.905
1400SJ200-54	3.675	79.140	1.104	1.080	26.524	3.331	4.956	0.443	0.229	0.641	0.363	1.153	17.868	5.100	-1.017	0.960
1400SJ200-68	4.572	113.246	2.218	1.344	32.654	4.650	4.930	0.517	0.273	0.621	0.354	2.277	20.915	5.064	-0.978	0.963
1400SJ250-68	4.936	129.723	2.218	1.451	37.477	5.339	5.083	1.038	0.450	0.846	0.526	2.458	41.626	5.349	-1.437	0.928
1400SJ200-97	6.313	186.758	6.509	1.855	43.813	6.238	4.859	0.589	0.316	0.563	0.324	6.397	24.130	4.968	-0.868	0.970
1400SJ250-97	6.854	217.663	6.509	2.014	51.038	7.270	5.034	1.284	0.570	0.798	0.497	6.944	51.238	5.269	-1.335	0.936
1600SJ250-68	5.421	146.438	1.935	1.593	52.152	6.192	5.721	1.069	0.450	0.819	0.482	2.700	56.124	5.932	-1.336	0.949
1600SJ250-97	7.546	251.869	5.669	2.218	71.191	8.879	5.666	1.321	0.571	0.772	0.456	7.646	69.405	5.851	-1.240	0.955

Flange Width: SSJ=1-5/8", SJW=2" and SSW=2-1/2"



PHYSICAL AND STRUCTURAL SECTION PROPERTIES

Calculated Data Member	Material Properties		Section Properties							Effective Section Properties						Torsional Properties					L _u (in)
	F _y (ksi)	F _u (ksi)	Gross Properties							Strong Axis		Weak Axis		Ω _b = 1.67		Properties					
			Area (in ²)	Weight (lb/ft)	I _x (in ⁴)	S _x (in ³)	R _x (in)	I _y (in ⁴)	R _y (in)	I _{xe} (in ⁴)	S _{xe} (in ³)	M _{ax} [ASD] (in-k)	I _{ye} (in ⁴)	S _{ye} (in ³)	M _{ay} [ASD] (in-k)	Jx1000 (in ⁴)	C _w ⁰ (in ⁶)	X _o (in)	R _o (in)	Beta β	
8" MEMBERS [43 mil Fy = 33 ksi; 54, 68, 97 and 118 mil Fy = 50ksi																					
800SMX200-33	33	45.0	0.509	1.73	4.646	1.155	3.023	0.3304	0.8060	4.591	1.148	22.69	0.2585	0.2280	4.51	0.32	5.49	1.73	3.58	0.7650	43.6
800SMX200-43	33	45.0	0.664	2.26	6.052	1.514	3.018	0.4276	0.8024	5.932	1.483	29.30	0.3271	0.2908	5.75	1.08	7.05	1.72	3.57	0.7671	70.9
800SMX200-54	50	65.0	0.834	2.84	7.559	0.189	3.011	0.5265	0.7946	7.354	1.839	55.06	0.4051	0.3556	10.65	1.37	8.59	1.70	3.55	0.7708	47.4
800SMX200-68	50	65.0	1.039	3.54	9.352	2.341	3.001	0.6400	0.7850	9.093	2.273	68.05	0.4906	0.4294	12.86	2.92	10.29	1.67	3.52	0.7757	62.4
800SMX200-97	50	65.0	1.436	4.89	12.750	3.187	2.980	0.8417	0.7657	12.470	3.117	93.32	0.6441	0.5602	16.77	6.83	13.13	1.61	3.47	0.7850	81.5
800SMX200-118	50	65.0	1.772	6.03	15.120	1.531	2.963	0.9693	0.7502	14.770	3.692	110.54	0.7476	0.6419	19.22	11.11	14.76	1.56	3.43	0.7930	95.5
800SMX250-33	33	45.0	0.543	1.85	5.193	1.306	3.093	0.5484	1.0050	5.139	1.285	25.39	0.5038	0.3239	6.40	0.37	9.02	2.19	3.92	0.6872	48.2
800SMX250-43	33	45.0	0.708	2.41	6.745	1.687	3.087	0.7093	1.0010	6.645	1.661	32.82	0.5515	0.3939	7.78	1.25	11.57	2.18	3.91	0.6890	80.3
800SMX250-54	50	65.0	0.891	3.03	8.460	2.119	3.081	0.8793	0.9934	8.247	2.062	61.74	0.6852	0.4834	14.47	1.40	14.19	2.16	3.89	0.6928	50.6
800SMX250-68	50	65.0	1.111	3.78	10.480	2.623	3.072	1.0740	0.9833	10.930	2.652	79.40	0.8341	0.5865	17.56	3.20	17.07	2.12	3.86	0.6975	67.6
800SMX250-97	50	65.0	1.535	5.22	14.310	3.576	3.053	1.4220	0.9624	14.050	3.513	105.18	1.1110	0.7444	22.29	7.46	21.94	2.06	3.81	0.7073	91.4
800SMX250-118	50	65.0	1.846	6.28	17.050	4.262	3.039	1.6550	0.9469	16.690	4.174	124.97	1.2940	0.8925	26.72	12.43	24.95	2.01	3.77	0.7147	106.7
800SMX300-33	33	45.0	0.581	1.98	5.770	1.444	3.153	0.8394	1.2020	5.688	1.422	28.10	0.6655	0.3954	7.81	0.97	131.68	2.67	4.30	0.6159	82.9
800SMX300-43	33	45.0	0.753	2.56	7.456	1.866	3.147	1.0770	1.1960	7.359	1.840	36.36	0.8462	0.5063	10.00	1.33	17.41	2.64	4.28	0.6190	85.5
800SMX300-54	50	65.0	0.935	3.18	9.241	2.313	3.144	1.3170	1.1870	9.140	2.285	68.41	1.0540	0.6229	18.65	1.43	21.04	2.62	4.26	0.6219	52.3
800SMX300-68	50	65.0	1.183	4.03	11.610	2.906	3.134	1.6400	1.1780	11.720	2.894	86.65	1.2870	0.7585	22.71	3.51	25.84	2.58	4.23	0.6267	73.7
800SMX300-97	50	65.0	1.637	5.57	15.890	3.973	3.116	2.1870	1.1560	15.210	3.987	119.37	1.7210	1.0070	30.15	8.12	33.43	2.52	4.17	0.6356	95.8
800SMX300-118	50	65.0	1.970	6.70	18.970	4.743	3.103	2.5590	1.1400	18.620	4.655	139.37	2.0240	1.1700	35.03	13.14	38.24	2.46	4.12	0.6428	113.1
800SMX350-33	33	45.0	0.616	2.10	6.328	1.582	3.205	1.1950	1.3930	6.237	1.559	30.81	0.9559	0.4894	9.67	1.11	19.35	3.13	4.69	0.5545	90.4
800SMX350-43	33	45.0	0.798	2.72	8.168	2.044	3.199	1.5340	1.3870	8.072	2.018	39.88	1.2170	0.6273	12.40	1.47	24.64	3.11	4.67	0.5573	91.5
800SMX350-54	50	65.0	0.992	3.37	10.130	2.536	3.197	1.8820	1.3780	10.030	2.508	75.09	1.5180	0.7735	23.16	1.47	29.85	3.09	4.65	0.5597	54.1
800SMX350-68	50	65.0	1.254	4.27	12.740	3.189	3.187	2.3480	1.3680	12.450	3.144	94.13	1.8640	0.9184	27.50	3.25	36.74	3.05	4.62	0.5641	73.8
800SMX350-97	50	65.0	1.754	5.97	17.630	4.413	3.171	3.1730	1.3450	17.220	4.306	128.92	2.5010	1.2620	37.78	8.97	48.13	2.97	4.55	0.5731	103.9
800SMX350-118	50	65.0	2.093	7.12	20.880	5.220	3.158	3.6930	1.3280	20.550	5.137	153.80	2.9530	1.4720	44.07	14.22	54.77	2.92	4.50	0.5792	119.7



PHYSICAL AND STRUCTURAL SECTION PROPERTIES

Calculated Data Member	Material Properties		Section Properties							Effective Section Properties						Torsional Properties					L _u (in) β
	F _y (ksi)	F _u (ksi)	Gross Properties							Strong Axis		Weak Axis		Ω _b = 1.67		Jx1000 (in ⁴)	C _w (in ⁶)	X _o (in)	R _o (in)	Beta	
			Area (in ²)	Weight (lb/ft)	I _x (in ⁴)	S _x (in ³)	R _x (in)	I _y (in ⁴)	R _y (in)	I _{xe} (in ⁴)	S _{xe} (in ³)	M _{ax} [ASD] (in-k)	I _{ye} (in ⁴)	S _{ye} (in ³)	M _{ay} [ASD] (in-k)						
10" MEMBERS [43 mil Fy = 33 ksi; 54, 68, 97 and 118 mil Fy = 50ksi]																					
1000SMX200-43	33	45.0	0.753	2.56	10.380	2.078	3.713	0.4583	0.7800	10.290	2.059	40.69	0.3818	0.3060	6.05	1.52	10.72	1.55	4.10	0.8566	70.2
1000SMX200-54	50	65.0	0.934	3.18	12.840	2.575	3.707	0.5564	0.7717	12.770	2.555	76.50	0.4721	0.3743	11.21	1.34	12.96	1.53	4.08	0.8593	38.8
1000SMX200-68	50	65.0	1.183	4.03	16.130	3.232	3.693	0.6876	0.7626	15.810	3.162	94.67	0.5732	0.4452	13.33	2.73	15.86	1.50	4.06	0.8628	50.5
1000SMX200-97	50	65.0	1.637	5.57	22.010	4.402	3.667	0.9010	0.7419	21.760	4.353	130.33	0.7544	0.5933	17.76	8.56	20.32	1.45	4.01	0.8699	75.2
1000SMX200-118	50	65.0	1.970	6.70	26.220	5.244	3.648	1.0400	0.7266	25.850	5.171	154.82	0.8736	0.6805	20.37	13.65	23.06	1.40	3.98	0.8753	87.0
1000SMX250-43	33	45.0	0.798	2.72	11.500	2.301	3.796	0.7640	0.9784	11.410	2.282	45.09	0.6398	0.4143	8.19	1.61	17.64	1.98	4.39	0.7962	77.7
1000SMX250-54	50	65.0	0.991	3.37	14.240	2.855	3.790	0.9319	0.9697	14.170	2.836	84.91	0.7939	0.5084	15.22	1.40	21.42	1.96	4.38	0.7989	42.7
1000SMX250-68	50	65.0	1.254	4.27	17.900	3.585	3.778	1.1560	0.9601	17.570	3.513	105.18	0.9676	0.6178	18.50	2.79	26.32	1.93	4.35	0.8027	54.7
1000SMX250-97	50	65.0	1.754	5.97	24.720	4.950	3.754	1.5420	0.9376	24.250	4.851	145.24	1.2880	0.8171	24.46	9.44	34.30	1.87	4.30	0.8111	85.6
1000SMX250-118	50	65.0	2.093	7.12	29.210	5.844	3.736	1.7780	0.9217	28.880	5.776	172.93	1.5020	0.9441	28.27	14.71	38.87	1.82	4.26	0.8168	97.5
1000SMX300-43	33	45.0	0.843	2.87	12.610	2.524	3.868	1.1610	1.1740	12.520	2.505	49.50	0.9771	0.5323	10.52	1.82	26.55	2.42	4.71	0.7359	86.6
1000SMX300-54	50	65.0	1.048	3.57	15.640	3.134	3.863	1.4210	1.1650	15.630	3.120	93.41	1.2160	0.6550	19.61	1.44	32.32	2.40	4.70	0.7386	45.4
1000SMX300-68	50	65.0	1.305	4.44	19.340	3.882	3.850	1.7360	1.1540	19.330	3.865	115.72	1.4870	0.7988	23.92	2.82	39.07	2.36	4.66	0.7430	57.1
1000SMX300-97	50	65.0	1.857	6.32	27.230	5.453	3.829	2.3770	1.1310	26.740	5.349	160.15	1.9930	1.0640	31.86	10.22	52.27	2.30	4.61	0.7514	93.5
1000SMX300-118	50	65.0	2.215	7.54	32.190	6.439	3.812	2.7490	1.1140	31.910	6.383	191.11	2.3380	1.2370	37.04	15.93	59.39	2.25	4.56	0.7576	106.4
1000SMX350-43	33	45.0	0.888	3.02	13.730	2.747	3.931	1.6570	1.3660	13.640	2.727	53.89	1.4010	0.6604	13.05	2.01	37.58	2.86	5.05	0.6786	93.8
1000SMX350-54	50	65.0	1.104	3.76	17.040	3.413	3.928	2.0340	1.3570	16.960	3.391	101.53	1.7450	0.8137	24.36	1.67	45.84	2.85	5.04	0.6808	50.5
1000SMX350-68	50	65.0	1.376	4.68	21.092	4.232	3.915	2.4900	1.3450	21.080	4.216	126.23	2.1400	0.9949	29.79	2.92	55.54	2.81	5.00	0.6852	59.9
1000SMX350-97	50	65.0	1.959	6.67	29.740	5.941	3.896	3.4270	1.3220	29.230	5.847	175.06	2.8860	1.3130	39.31	10.84	74.70	2.74	4.94	0.6936	100.0
1000SMX350-118	50	65.0	2.361	8.03	35.550	7.118	3.880	4.0160	1.3040	34.940	6.986	209.16	3.3990	1.5560	46.59	17.34	85.96	2.68	4.89	0.6999	115.1



PHYSICAL AND STRUCTURAL SECTION PROPERTIES

Calculated Data Member	Material Properties		Section Properties							Effective Section Properties						Torsional Properties					L _u (in)
	F _y (ksi)	F _u (ksi)	Gross Properties							Strong Axis		Weak Axis		Ω _b = 1.67		Properties					
			Area (in ²)	Weight (lb/ft)	I _x (in ⁴)	S _x (in ³)	R _x (in)	I _y (in ⁴)	R _y (in)	I _{xe} (in ⁴)	S _{xe} (in ³)	M _{ax} [ASD] (in-k)	I _{ye} (in ⁴)	S _{ye} (in ³)	M _{ay} [ASD] (in-k)	Jx1000 (in ⁴)	C _w (in ⁶)	X _o (in)	R _o (in)	Beta β	
12" MEMBERS [43 mil Fy = 33 ksi; 54, 68, 97 and 118 mil Fy = 50ksi]																					
1200SMX200-54	50	65.0	1.047	3.56	20.090	3.360	4.381	0.5868	0.7487	18.290	3.048	91.26	0.4031	0.3550	10.63	1.48	18.68	1.40	4.66	0.9100	38.0
1200SMX200-68	50	65.0	1.306	4.44	24.870	4.162	4.364	0.7151	0.7399	22.390	3.783	113.26	0.4907	0.4296	12.86	2.92	22.72	1.38	4.64	0.9119	47.8
1200SMX200-97	50	65.0	1.858	6.32	34.900	5.826	4.334	0.9575	0.7180	31.330	5.221	156.32	0.6478	0.5615	16.81	10.41	29.90	1.32	4.59	0.9176	77.0
1200SMX200-118	50	65.0	2.216	7.54	41.160	6.860	4.310	1.0910	0.7018	36.970	6.162	184.49	0.7452	0.6413	19.20	16.75	33.62	1.28	4.55	0.9214	89.2
1200SMX250-54	50	65.0	1.103	3.75	22.110	3.673	4.476	0.9851	0.9448	20.310	3.385	101.35	0.6821	0.4826	14.45	1.55	30.88	1.80	4.92	0.8654	42.3
1200SMX250-68	50	65.0	1.375	4.68	27.340	4.572	4.458	1.2010	0.9344	24.920	4.208	125.99	0.8342	0.5866	17.56	3.17	37.55	1.77	4.89	0.8683	54.2
1200SMX250-97	50	65.0	1.960	6.67	38.530	6.432	4.433	1.6310	0.9122	34.930	5.821	174.28	1.1130	0.9487	28.40	11.33	50.12	1.71	4.84	0.8746	81.4
1200SMX250-118	50	65.0	2.362	8.04	45.980	7.676	4.412	1.8910	0.8948	41.350	6.891	206.32	1.2890	1.2210	36.56	18.13	57.30	1.67	4.80	0.8793	90.6
1200SMX300-54	50	65.0	1.160	3.95	24.130	4.032	4.561	1.5050	1.1390	22.330	3.721	111.41	1.0490	0.6219	18.62	1.71	46.60	2.22	5.20	0.8178	47.1
1200SMX300-68	50	65.0	1.446	4.92	29.840	4.989	4.544	1.8400	1.1280	27.440	4.632	138.68	1.2880	0.7587	22.72	3.32	56.84	2.19	5.17	0.8211	58.7
1200SMX300-97	50	65.0	2.063	7.02	42.160	7.038	4.521	2.5190	1.1050	38.520	6.421	192.25	1.7300	1.0100	30.24	12.11	76.38	2.11	5.12	0.8295	96.2
1200SMX300-118	50	65.0	2.487	8.46	50.400	8.413	4.501	2.9370	1.0870	45.730	7.621	228.17	2.0140	1.1700	35.03	19.54	87.83	2.07	8.12	0.9349	112.2
1200SMX350-54	50	65.0	1.217	4.14	26.150	4.368	4.636	2.1570	1.3310	24.350	4.058	121.50	1.5120	0.7723	23.12	1.88	66.11	2.64	5.50	0.7693	51.3
1200SMX350-68	50	65.0	1.516	5.16	32.350	5.407	4.619	2.6420	1.3200	29.970	5.056	151.38	1.8600	0.9447	28.28	3.57	80.79	2.61	5.47	0.7726	63.3
1200SMX350-97	50	65.0	2.129	7.24	44.980	7.527	4.596	3.5650	1.2940	42.120	7.021	210.21	2.5120	1.2650	37.87	8.82	106.90	2.54	5.41	0.7801	84.5
1200SMX350-118	50	65.0	2.613	8.89	54.820	9.150	4.580	4.2610	1.2770	50.110	8.351	250.03	2.9360	1.4710	44.04	17.44	126.10	2.49	8.42	0.9127	110.3



PHYSICAL AND STRUCTURAL SECTION PROPERTIES

Calculated Data Member	Material Properties		Section Properties							Effective Section Properties						Torsional Properties					L _u (in)
	F _y (ksi)	F _u (ksi)	Gross Properties							Strong Axis		Weak Axis		Ω _b = 1.67		Properties					
			Area (in ²)	Weight (lb/ft)	I _x (in ⁴)	S _x (in ³)	R _x (in)	I _y (in ⁴)	R _y (in)	I _{xe} (in ⁴)	S _{xe} (in ³)	M _{ax} [ASD] (in-k)	I _{ye} (in ⁴)	S _{ye} (in ³)	M _{ay} [ASD] (in-k)	Jx1000 (in ⁴)	C _w (in ⁶)	X _o (in)	R _o (in)	Beta β	
14" MEMBERS [43 mil Fy = 33 ksi; 54, 68, 97 and 118 mil Fy = 50ksi]																					
1400SMX200-54	50	65.0	1.175	4.00	29.740	4.257	5.033	0.6178	0.7254	27.690	3.956	118.44	0.4720	0.3742	11.20	3.11	26.11	1.29	5.25	0.9400	46.3
1400SMX200-68	50	65.0	1.447	4.92	36.460	5.234	5.019	0.7414	0.7158	33.280	4.754	142.34	0.5729	0.4530	13.56	3.01	31.30	1.26	5.23	0.9416	41.4
1400SMX200-97	50	65.0	2.062	7.02	51.270	7.337	4.986	0.9958	0.6949	47.180	6.740	201.80	0.7542	0.5929	17.75	12.34	41.49	1.21	5.18	0.9453	70.1
1400SMX200-118	50	65.0	2.486	8.46	61.112	8.747	4.958	1.1430	0.6782	56.050	8.007	239.73	0.8656	0.6775	20.28	20.63	47.12	1.17	5.14	0.9482	82.5
1400SMX250-54	50	65.0	1.231	4.19	32.520	4.654	5.139	1.0390	0.9187	30.450	4.350	130.24	0.7937	0.5083	15.22	3.33	43.16	1.67	5.48	0.9075	53.1
1400SMX250-68	50	65.0	1.518	5.17	39.890	5.672	5.127	1.2530	0.9086	36.710	5.245	157.04	0.9678	0.6181	18.51	3.11	51.98	1.64	5.46	0.9094	46.6
1400SMX250-97	50	65.0	2.139	7.28	55.670	7.996	5.102	1.6780	0.8859	52.090	7.441	222.78	1.2870	0.8172	24.47	9.88	68.63	1.59	5.42	0.9140	69.3
1400SMX250-118	50	65.0	2.611	8.88	67.150	9.610	5.071	1.9690	0.8683	62.030	8.861	265.30	1.4890	0.9412	28.18	21.70	79.68	1.54	5.37	0.9178	94.3
1400SMX300-54	50	65.0	1.288	4.38	35.290	5.051	5.234	1.5900	1.1110	33.200	4.742	141.98	1.2150	0.6550	19.61	3.53	65.15	2.06	5.73	0.8709	58.6
1400SMX300-68	50	65.0	1.589	5.41	43.330	6.218	5.222	1.9240	1.1010	40.150	5.736	171.74	1.4870	0.7993	23.93	3.37	78.81	2.04	5.71	0.8731	51.9
1400SMX300-97	50	65.0	2.237	7.61	60.430	8.673	5.198	2.5830	1.0750	57.000	8.143	243.80	1.9910	1.0640	31.86	10.44	104.00	1.97	5.66	0.8787	76.3
1400SMX300-118	50	65.0	2.736	9.31	73.180	10.470	5.171	3.0640	1.0580	68.010	9.715	290.87	2.3170	1.2330	36.92	21.72	122.20	1.92	5.62	0.8827	101.5
1400SMX350-54	50	65.0	1.345	4.58	38.070	5.447	5.320	2.2820	1.3020	35.950	5.135	153.74	1.7450	0.8137	24.36	3.77	92.43	2.46	6.01	0.8318	63.7
1400SMX350-68	50	65.0	1.660	5.65	46.760	6.710	5.308	2.7680	1.2920	44.120	6.367	190.63	2.1400	0.9955	29.81	3.46	111.90	2.44	5.98	0.8340	54.5
1400SMX350-97	50	65.0	2.339	7.96	65.390	9.382	5.287	3.7400	1.2640	61.910	8.844	264.79	2.8810	1.3330	39.91	11.25	148.80	2.37	5.93	0.8403	83.3
1400SMX350-118	50	65.0	2.862	9.74	79.210	11.330	5.261	4.4530	1.2470	73.990	10.570	316.47	3.3660	1.5510	46.44	24.77	175.40	2.32	5.88	0.8446	114.0



PHYSICAL AND STRUCTURAL SECTION PROPERTIES

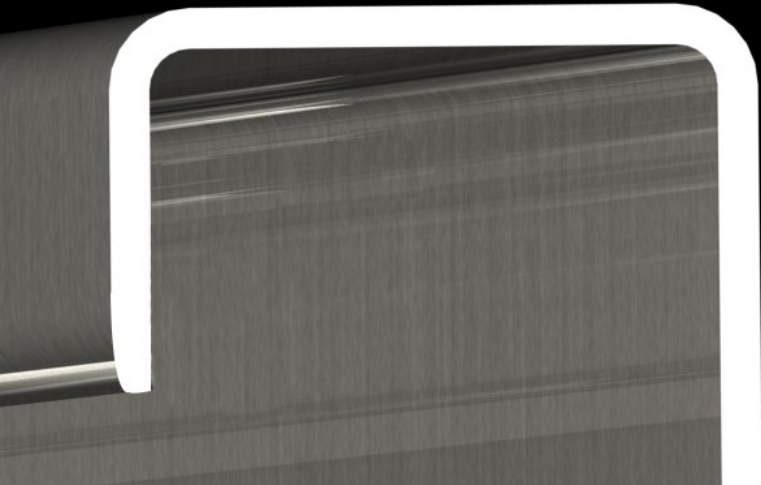
Calculated Data Member	Material Properties		Section Properties							Effective Section Properties						Torsional Properties					L _u (in) β
	F _y (ksi)	F _u (ksi)	Gross Properties							Strong Axis		Weak Axis		Ω _b = 1.67		Jx1000 (in ⁴)	C _w (in ⁶)	X _o (in)	R _o (in)	Beta	
			Area (in ²)	Weight (lb/ft)	I _x (in ⁴)	S _x (in ³)	R _x (in)	I _y (in ⁴)	R _y (in)	I _{xe} (in ⁴)	S _{xe} (in ³)	M _{ax} [ASD] (in-k)	I _{ye} (in ⁴)	S _{ye} (in ³)	M _{ay} [ASD] (in-k)						
16" MEMBERS [43 mil Fy = 33 ksi; 54, 68, 97 and 118 mil Fy = 50ksi]																					
1600SMX200-68	50	65.0	1.589	5.41	50.950	6.403	5.663	0.7656	0.6942	42.900	5.362	160.54	0.4908	0.4296	12.86	3.20	41.44	1.17	5.82	0.9596	40.3
1600SMX200-97	50	65.0	2.234	7.60	70.730	8.888	5.627	1.0070	0.6714	58.620	7.327	219.37	0.6438	0.5602	16.77	9.93	54.21	1.21	5.78	0.9561	60.2
1600SMX200-118	50	65.0	2.736	9.31	85.690	10.730	5.596	1.1790	0.6565	69.410	8.675	259.73	0.7369	0.6382	19.11	23.86	63.03	1.08	5.74	0.9644	86.0
1600SMX250-68	50	65.0	1.660	5.65	55.450	6.966	5.780	1.2960	0.8838	47.420	5.928	177.49	0.8341	0.5868	17.57	3.32	68.89	1.53	6.04	0.9359	45.7
1600SMX250-97	50	65.0	2.336	7.95	77.210	9.701	5.749	1.7250	0.8593	65.050	8.131	243.44	1.1050	0.7733	23.15	10.65	91.10	1.48	6.00	0.9395	69.6
1600SMX250-118	50	65.0	2.862	9.74	93.590	11.720	5.719	2.0350	0.8433	77.230	9.654	289.04	1.2760	0.8883	26.60	25.55	106.70	1.43	5.96	0.9420	99.4
1600SMX300-68	50	65.0	1.730	5.89	59.940	7.456	5.885	1.9950	1.0740	51.940	6.493	194.40	1.2870	0.7589	22.72	3.54	104.40	1.90	6.28	0.9082	50.8
1600SMX300-97	50	65.0	2.439	8.30	83.700	10.510	5.858	2.6770	1.0480	71.480	8.935	267.51	1.7180	1.0080	30.18	11.44	139.10	1.84	6.23	0.9124	77.7
1600SMX300-118	50	65.0	2.987	10.16	101.500	12.710	5.829	3.1740	1.0310	85.060	10.630	318.26	1.9940	1.1640	34.85	26.67	163.70	1.80	6.19	0.9155	109.6
1600SMX350-68	50	65.0	1.801	6.13	64.430	8.092	5.981	2.8740	1.2630	56.470	7.059	211.35	1.8590	0.9449	28.29	3.64	148.50	2.29	6.53	0.8773	54.4
1600SMX350-97	50	65.0	2.541	8.65	90.190	11.330	5.957	3.8820	1.2360	77.900	9.737	291.53	2.4950	1.2620	37.78	12.11	199.10	2.23	6.48	0.8819	84.5
1600SMX350-118	50	65.0	3.099	10.55	108.600	13.600	5.920	4.5590	1.2130	92.890	11.610	347.60	2.9080	1.4650	43.86	27.74	231.60	2.16	6.42	0.8865	117.3
18" MEMBERS [43 mil Fy = 33 ksi; 54, 68, 97 and 118 mil Fy = 50ksi]																					
1800SMX200-68	50	65.0	1.730	5.89	68.630	7.668	6.297	0.7859	0.6739	60.720	6.747	202.01	0.5729	0.4530	13.56	3.54	53.52	1.09	6.43	0.9711	35.5
1800SMX200-97	50	65.0	2.436	8.29	95.400	10.660	6.259	1.0330	0.6512	83.460	9.274	277.66	0.7542	0.5929	17.75	10.81	70.13	1.05	6.38	0.9732	52.3
1800SMX200-118	50	65.0	2.987	10.16	115.700	12.890	6.225	1.2100	0.6363	99.220	11.030	330.24	0.8656	0.6775	20.28	26.74	81.63	1.01	6.34	0.9746	75.4
1800SMX250-68	50	65.0	1.801	6.13	74.320	8.302	6.423	1.3330	0.8603	66.450	7.383	221.05	0.9678	0.6181	18.51	3.63	89.05	1.43	6.64	0.9533	40.7
1800SMX250-97	50	65.0	2.538	8.64	103.600	11.580	6.389	1.7730	0.8358	91.610	10.180	304.79	1.2870	0.8172	24.47	12.01	118.00	1.38	6.59	0.9560	62.5
1800SMX250-118	50	65.0	3.099	10.55	124.800	13.890	6.345	2.0580	0.8150	109.100	12.130	363.17	1.4890	0.9412	28.18	28.63	136.10	1.33	6.53	0.9586	88.0
1800SMX300-68	50	65.0	1.872	6.37	80.010	8.936	6.537	2.0540	1.0470	72.180	8.020	240.12	1.4870	0.7993	23.93	3.82	135.00	1.79	6.86	0.9320	45.5
1800SMX300-97	50	65.0	2.641	8.99	111.800	12.490	6.508	2.7560	1.0220	99.750	11.080	331.74	1.9910	1.0640	31.86	12.22	180.30	1.73	6.81	0.9352	68.9
1800SMX300-118	50	65.0	3.224	10.97	134.800	15.000	6.465	3.2190	0.9992	119.100	13.230	396.11	2.3170	1.2330	36.92	30.00	209.20	1.68	6.75	0.9383	98.6
1800SMX350-68	50	65.0	1.943	6.61	85.710	9.570	6.642	2.9640	1.2350	77.910	8.656	259.16	2.1400	0.9955	29.81	3.97	192.20	2.16	7.09	0.9074	49.4
1800SMX350-97	50	65.0	2.744	9.34	120.100	13.410	6.615	4.0020	1.2080	107.900	11.990	358.98	2.8810	1.3330	39.91	11.41	258.10	2.10	7.05	0.9112	71.1
1800SMX350-118	50	65.0	3.350	11.40	144.800	16.120	6.574	4.6980	1.1840	129.000	14.330	429.04	3.3660	1.5510	46.44	32.13	300.90	2.04	6.98	0.9149	109.0

For more information, visit our website at www.BuySuperStud.com or contact our team at 732-662-6200

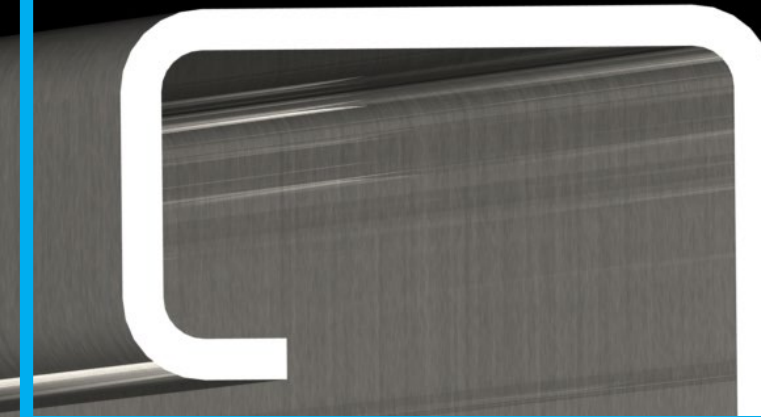
This information reflects the most current information available and supersedes all previous publications. Revised March 2020.

© Super Stud Building Products, Inc.

*SUPER*JOIST



*SUPERMAXX*JOIST



MAXIMUM FLOOR JOIST SPANS

*SHEETS WITH CYAN BORDER INDICATE SUPERMAXX
PRODUCT WITH DOUBLE RETURN FLANGE*

MAXIMUM FLOOR JOIST SPAN TABLE NOTES



Maximum Floor Joist Span Table Notes:

1. System loading is a uniform gravity pressure as listed at the top of each table. Impact loads, concentrated loads, and serviceability issues other than deflection must be investigated separately.
2. Total load deflection is limited to the span/240 ($L/240$).
3. Live load deflection is limited to $L/360$ or $L/480$: see top of each table for specific limitation.
4. Joists are considered simply supported. Cantilevers and multi-span conditions must be investigated separately.
5. Compression flanges are considered fully braced
6. Other flange braced at 7' o.c. maximum spacing
7. Joist ends must be restrained against rotation.
8. Web crippling must be checked separately.



MAXIMUM FLOOR JOIST SPANS (FT – IN)

8" Members	15 PSF Dead Load plus 40 PSF Live Load								8" Members	40 PSF Dead Load plus 40 PSF Live Load							
	Live Load Deflection = L/360				Live Load Deflection = L/480					Live Load Deflection = L/360				Live Load Deflection = L/480			
	Spacing (in) o.c.				Spacing (in) o.c.					Spacing (in) o.c.				Spacing (in) o.c.			
SECTION	12	16	19.2	24	12	16	19.2	24	SECTION	12	16	19.2	24	12	16	19.2	24
800SJ162-43	16'-8"	15'-7"	14'-8"	13'-7"	15'-7"	14'-2"	13'-4"	12'-4"	800SJ162-43	15'-7"	14'-2"	13'-4"	12'-4"	15'-7"	14'-2"	13'-4"	12'-4"
800SJ162-54	18'-5"	16'-9"	15'-9"	14'-7"	16'-9"	15'-3"	14'-4"	13'-3"	800SJ162-54	16'-9"	15'-3"	14'-4"	13'-3"	16'-9"	15'-3"	14'-4"	13'-3"
800SJ162-68	19'-9"	18'-0"	16'-11"	15'-8"	18'-0"	16'-4"	15'-4"	14'-3"	800SJ162-68	18'-0"	16'-4"	15'-4"	14'-3"	18'-0"	16'-4"	15'-4"	14'-3"
800SJ162-97	22'-0"	20'-0"	18'-9"	17'-5"	20'-0"	18'-2"	17'-1"	15'-10"	800SJ162-97	20'-0"	18'-2"	17'-1"	15'-10"	20'-0"	18'-2"	17'-1"	15'-10"
800SJ162-118	23'-3"	21'-1"	19'-10"	18'-5"	21'-1"	19'-2"	18'-1"	16'-9"	800SJ162-118	21'-1"	19'-2"	18'-1"	16'-9"	21'-1"	19'-2"	18'-1"	16'-9"
800SJ200-43	17'-7"	16'-2"	15'-3"	14'-1"	16'-2"	14'-8"	13'-10"	12'-10"	800SJ200-43	16'-2"	14'-8"	13'-10"	12'-10"	16'-2"	14'-8"	13'-10"	12'-10"
800SJ200-54	19'-2"	17'-4"	16'-4"	15'-2"	17'-4"	15'-9"	14'-10"	13'-9"	800SJ200-54	17'-4"	15'-9"	14'-10"	13'-9"	17'-4"	15'-9"	14'-10"	13'-9"
800SJ200-68	20'-6"	18'-8"	17'-7"	16'-4"	18'-8"	16'-11"	15'-11"	14'-10"	800SJ200-68	18'-8"	16'-11"	15'-11"	14'-10"	18'-8"	16'-11"	15'-11"	14'-10"
800SJ200-97	22'-10"	20'-9"	19'-6"	18'-1"	20'-9"	18'-10"	17'-9"	16'-6"	800SJ200-97	20'-9"	18'-10"	17'-9"	16'-6"	20'-9"	18'-10"	17'-9"	16'-6"
800SJ200-118	24'-2"	22'-0"	20'-8"	19'-2"	22'-0"	19'-11"	18'-9"	17'-5"	800SJ200-118	22'-0"	19'-11"	18'-9"	17'-5"	22'-0"	19'-11"	18'-9"	17'-5"
800SJ250-43	18'-7"	16'-11"	15'-11"	14'-9"	16'-11"	15'-4"	14'-5"	13'-5"	800SJ250-43	16'-11"	15'-4"	14'-5"	13'-5"	16'-11"	15'-4"	14'-5"	13'-5"
800SJ250-54	20'-0"	18'-2"	17'-1"	15'-10"	18'-2"	16'-6"	15'-6"	14'-5"	800SJ250-54	18'-2"	16'-6"	15'-6"	14'-5"	18'-2"	16'-6"	15'-6"	14'-5"
800SJ250-68	21'-6"	19'-6"	18'-4"	17'-0"	19'-6"	17'-9"	16'-8"	15'-6"	800SJ250-68	19'-6"	17'-9"	16'-8"	15'-6"	19'-6"	17'-9"	16'-8"	15'-6"
800SJ250-97	23'-11"	21'-8"	20'-5"	18'-11"	21'-8"	19'-9"	18'-7"	17'-3"	800SJ250-97	21'-8"	19'-9"	18'-7"	17'-3"	21'-8"	19'-9"	18'-7"	17'-3"
800SJ250-118	25'-4"	23'-0"	21'-8"	20'-1"	23'-0"	20'-11"	19'-8"	18'-3"	800SJ250-118	23'-0"	20'-11"	19'-8"	18'-3"	23'-0"	20'-11"	19'-8"	18'-3"
800SJ300-43	19'-4"	17'-6"	16'-6"	15'-4"	17'-6"	15'-11"	15'-0"	13'-11"	800SJ300-43	17'-6"	15'-11"	15'-0"	13'-11"	17'-6"	15'-11"	15'-0"	13'-11"
800SJ300-54	20'-9"	18'-10"	17'-9"	16'-6"	18'-10"	17'-2"	16'-1"	14'-11"	800SJ300-54	18'-10"	17'-2"	16'-1"	14'-11"	18'-10"	17'-2"	16'-1"	14'-11"
800SJ300-68	22'-4"	20'-3"	19'-1"	17'-8"	20'-3"	18'-5"	17'-4"	16'-1"	800SJ300-68	20'-3"	18'-5"	17'-4"	16'-1"	20'-3"	18'-5"	17'-4"	16'-1"
800SJ300-97	24'-10"	22'-7"	21'-3"	19'-9"	22'-7"	20'-6"	19'-4"	17'-11"	800SJ300-97	22'-7"	20'-6"	19'-4"	17'-11"	22'-7"	20'-6"	19'-4"	17'-11"
800SJ300-118	26'-5"	24'-0"	22'-7"	20'-11"	24'-0"	21'-9"	20'-6"	19'-0"	800SJ300-118	24'-0"	21'-9"	20'-6"	19'-0"	24'-0"	21'-9"	20'-6"	19'-0"
800SJ350-43	15'-3"	15'-3"	15'-3"	15'-3"	15'-3"	15'-3"	15'-3"	14'-7"	800SJ350-43	15'-3"	15'-3"	15'-3"	14'-7"	15'-3"	15'-3"	15'-3"	14'-7"
800SJ350-54	21'-10"	19'-10"	18'-8"	17'-4"	19'-10"	18'-0"	16'-11"	15'-9"	800SJ350-54	19'-10"	18'-0"	16'-11"	15'-9"	19'-10"	18'-0"	16'-11"	15'-9"
800SJ350-68	23'-6"	21'-4"	20'-1"	18'-7"	21'-4"	19'-4"	18'-3"	16'-11"	800SJ350-68	21'-4"	19'-4"	18'-3"	16'-11"	21'-4"	19'-4"	18'-3"	16'-11"
800SJ350-97	26'-2"	23'-9"	22'-5"	20'-9"	23'-9"	21'-7"	20'-4"	18'-10"	800SJ350-97	23'-9"	21'-7"	20'-4"	18'-10"	23'-9"	21'-7"	20'-4"	18'-10"
800SJ350-118	27'-10"	25'-3"	23'-9"	22'-1"	25'-3"	22'-11"	21'-7"	20'-0"	800SJ350-118	25'-3"	22'-11"	21'-7"	20'-0"	25'-3"	22'-11"	21'-7"	20'-0"

For more information, visit our website at www.BuySuperStud.com or contact our team at 732-662-6200

This information reflects the most current information available and supersedes all previous publications. Revised March 2020.

© Super Stud Building Products, Inc.



MAXIMUM FLOOR JOIST SPANS (FT – IN)

8" Members	15 PSF Dead Load plus 60 PSF Live Load							
	Live Load Deflection = L/360				Live Load Deflection = L/480			
	Spacing (in) o.c.				Spacing (in) o.c.			
SECTION	12	16	19.2	24	12	16	19.2	24
800SJ162-43	15'-0"	13'-7"	12'-10"	11'-11"	13'-7"	12'-4"	11'-8"	10'-10"
800SJ162-54	16'-1"	14'-7"	13'-9"	12'-9"	14'-7"	13'-3"	12'-6"	11'-7"
800SJ162-68	17'-3"	15'-8"	14'-9"	13'-8"	15'-8"	14'-3"	13'-5"	12'-5"
800SJ162-97	19'-2"	17'-5"	16'-5"	15'-3"	17'-5"	15'-10"	14'-11"	13'-10"
800SJ162-118	20'-4"	18'-5"	17'-4"	16'-1"	18'-5"	16'-9"	15'-9"	14'-8"
800SJ200-43	15'-6"	14'-1"	13'-3"	12'-4"	14'-1"	12'-10"	12'-1"	11'-2"
800SJ200-54	16'-8"	15'-2"	14'-3"	13'-3"	15'-2"	13'-9"	13'-0"	12'-0"
800SJ200-68	17'-11"	16'-4"	15'-4"	14'-3"	16'-4"	14'-10"	13'-11"	12'-11"
800SJ200-97	19'-11"	18'-1"	17'-1"	15'-10"	18'-1"	16'-6"	15'-6"	14'-4"
800SJ200-118	21'-1"	19'-2"	18'-1"	16'-9"	19'-2"	17'-5"	16'-5"	15'-3"
800SJ250-43	16'-3"	14'-9"	13'-10"	12'-10"	14'-9"	13'-5"	12'-7"	11'-8"
800SJ250-54	17'-5"	15'-10"	14'-11"	13'-10"	15'-10"	14'-5"	13'-7"	12'-7"
800SJ250-68	18'-9"	17'-0"	16'-0"	14'-10"	17'-0"	15'-6"	14'-7"	13'-6"
800SJ250-97	20'-10"	18'-11"	17'-10"	16'-7"	18'-11"	17'-3"	16'-2"	15'-0"
800SJ250-118	22'-1"	20'-1"	18'-11"	17'-7"	20'-1"	18'-3"	17'-2"	15'-11"
800SJ300-43	16'-10"	15'-4"	14'-5"	13'-4"	15'-4"	13'-11"	13'-1"	12'-2"
800SJ300-54	18'-2"	16'-6"	15'-6"	14'-5"	16'-6"	14'-11"	14'-1"	13'-1"
800SJ300-68	19'-6"	17'-8"	16'-8"	15'-5"	17'-8"	16'-1"	15'-2"	14'-0"
800SJ300-97	21'-9"	19'-9"	18'-7"	17'-3"	19'-9"	17'-11"	16'-10"	15'-8"
800SJ300-118	23'-0"	20'-11"	19'-8"	18'-3"	20'-11"	19'-0"	17'-11"	16'-7"
800SJ350-43	15'-3"	15'-3"	15'-2"	14'-1"	15'-3"	14'-7"	13'-9"	12'-9"
800SJ350-54	19'-1"	17'-4"	16'-3"	15'-1"	17'-4"	15'-9"	14'-10"	13'-9"
800SJ350-68	20'-6"	18'-7"	17'-6"	16'-3"	18'-7"	16'-11"	15'-11"	14'-9"
800SJ350-97	22'-10"	20'-9"	19'-7"	18'-2"	20'-9"	18'-10"	17'-9"	16'-6"
800SJ350-118	24'-3"	22'-1"	20'-9"	19'-3"	22'-1"	20'-0"	18'-10"	17'-6"

8" Members	40 PSF Dead Load plus 60 PSF Live Load							
	Live Load Deflection = L/360				Live Load Deflection = L/480			
	Spacing (in) o.c.				Spacing (in) o.c.			
SECTION	12	16	19.2	24	12	16	19.2	24
800SJ162-43	14'-6"	13'-2"	12'-4"	11'-6"	13'-7"	12'-4"	11'-8"	10'-10"
800SJ162-54	15'-7"	14'-1"	13'-3"	12'-4"	14'-7"	13'-3"	12'-6"	11'-7"
800SJ162-68	16'-8"	15'-2"	14'-3"	13'-3"	15'-8"	14'-3"	13'-5"	12'-5"
800SJ162-97	18'-6"	16'-10"	15'-10"	14'-8"	17'-5"	15'-10"	14'-11"	13'-10"
800SJ162-118	19'-7"	17'-10"	16'-9"	15'-7"	18'-5"	16'-9"	15'-9"	14'-8"
800SJ200-43	15'-0"	13'-8"	12'-10"	11'-11"	14'-1"	12'-10"	12'-1"	11'-2"
800SJ200-54	16'-1"	14'-8"	13'-9"	12'-9"	15'-2"	13'-9"	13'-0"	12'-0"
800SJ200-68	17'-4"	15'-9"	14'-10"	13'-9"	16'-4"	14'-10"	13'-11"	12'-11"
800SJ200-97	19'-3"	17'-6"	16'-6"	15'-3"	18'-1"	16'-6"	15'-6"	14'-4"
800SJ200-118	20'-5"	18'-6"	17'-5"	16'-2"	19'-2"	17'-5"	16'-5"	15'-3"
800SJ250-43	15'-8"	14'-3"	13'-5"	12'-5"	14'-9"	13'-5"	12'-7"	11'-8"
800SJ250-54	16'-10"	15'-4"	14'-5"	13'-4"	15'-10"	14'-5"	13'-7"	12'-7"
800SJ250-68	18'-1"	16'-5"	15'-6"	14'-4"	17'-0"	15'-6"	14'-7"	13'-6"
800SJ250-97	20'-2"	18'-4"	17'-3"	16'-0"	18'-11"	17'-3"	16'-2"	15'-0"
800SJ250-118	21'-4"	19'-5"	18'-3"	16'-11"	20'-1"	18'-3"	17'-2"	15'-11"
800SJ300-43	16'-3"	14'-9"	13'-11"	12'-11"	15'-4"	13'-11"	13'-1"	12'-2"
800SJ300-54	17'-6"	15'-11"	14'-11"	13'-11"	16'-6"	14'-11"	14'-1"	13'-1"
800SJ300-68	18'-10"	17'-1"	16'-1"	14'-11"	17'-8"	16'-1"	15'-2"	14'-0"
800SJ300-97	21'-0"	19'-1"	17'-11"	16'-8"	19'-9"	17'-11"	16'-10"	15'-8"
800SJ300-118	22'-3"	20'-2"	19'-0"	17'-8"	20'-11"	19'-0"	17'-11"	16'-7"
800SJ350-43	15'-3"	15'-3"	14'-7"	13'-7"	15'-3"	14'-7"	13'-9"	12'-9"
800SJ350-54	18'-5"	16'-9"	15'-9"	14'-7"	17'-4"	15'-9"	14'-10"	13'-9"
800SJ350-68	19'-9"	18'-0"	16'-11"	15'-8"	18'-7"	16'-11"	15'-11"	14'-9"
800SJ350-97	22'-1"	20'-1"	18'-10"	17'-6"	20'-9"	18'-10"	17'-9"	16'-6"
800SJ350-118	23'-5"	21'-4"	20'-0"	18'-7"	22'-1"	20'-0"	18'-10"	17'-6"

For more Information, visit our website at www.BuySuperStud.com or contact our team at 732-662-6200

This information reflects the most current information available and supersedes all previous publications. Revised March 2020.

© Super Stud Building Products, Inc.



MAXIMUM FLOOR JOIST SPANS (FT – IN)

8" Members	15 PSF Dead Load plus 125 PSF Live Load								8" Members	40 PSF Dead Load plus 125 PSF Live Load							
	Live Load Deflection = L/360				Live Load Deflection = L/480					Live Load Deflection = L/360				Live Load Deflection = L/480			
	Spacing (in) o.c.				Spacing (in) o.c.					Spacing (in) o.c.				Spacing (in) o.c.			
SECTION	12	16	19.2	24	12	16	19.2	24	SECTION	12	16	19.2	24	12	16	19.2	24
800SJ162-43	11'-9"	10'-8"	10'-0"	9'-4"	10'-8"	9'-8"	9'-1"	8'-5"	800SJ162-43	11'-9"	10'-8"	10'-0"	9'-4"	11'-9"	10'-8"	10'-0"	9'-4"
800SJ162-54	12'-7"	11'-5"	10'-9"	10'-0"	11'-5"	10'-5"	9'-9"	9'-1"	800SJ162-54	12'-7"	11'-5"	10'-9"	10'-0"	12'-7"	11'-5"	10'-9"	10'-0"
800SJ162-68	13'-6"	12'-3"	11'-7"	10'-9"	12'-3"	11'-2"	10'-6"	9'-9"	800SJ162-68	13'-6"	12'-3"	11'-7"	10'-9"	13'-6"	12'-3"	11'-7"	10'-9"
800SJ162-97	15'-0"	13'-8"	12'-10"	11'-11"	13'-8"	12'-5"	11'-8"	10'-10"	800SJ162-97	15'-0"	13'-8"	12'-10"	11'-11"	15'-0"	13'-8"	12'-10"	11'-11"
800SJ162-118	15'-11"	14'-5"	13'-7"	12'-7"	14'-5"	13'-1"	12'-4"	11'-5"	800SJ162-118	15'-11"	14'-5"	13'-7"	12'-7"	15'-11"	14'-5"	13'-7"	12'-7"
800SJ200-43	12'-2"	11'-1"	10'-5"	9'-8"	11'-1"	10'-0"	9'-5"	8'-9"	800SJ200-43	12'-2"	11'-1"	10'-5"	9'-8"	12'-2"	11'-1"	10'-5"	9'-8"
800SJ200-54	13'-1"	11'-10"	11'-2"	10'-4"	11'-10"	10'-9"	10'-2"	9'-5"	800SJ200-54	13'-1"	11'-10"	11'-2"	10'-4"	13'-1"	11'-10"	11'-2"	10'-4"
800SJ200-68	14'-0"	12'-9"	12'-0"	11'-2"	12'-9"	11'-7"	10'-11"	10'-1"	800SJ200-68	14'-0"	12'-9"	12'-0"	11'-2"	14'-0"	12'-9"	12'-0"	11'-2"
800SJ200-97	15'-7"	14'-2"	13'-4"	12'-5"	14'-2"	12'-11"	12'-1"	11'-3"	800SJ200-97	15'-7"	14'-2"	13'-4"	12'-5"	15'-7"	14'-2"	13'-4"	12'-5"
800SJ200-118	16'-6"	15'-0"	14'-2"	13'-1"	15'-0"	13'-8"	12'-10"	11'-11"	800SJ200-118	16'-6"	15'-0"	14'-2"	13'-1"	16'-6"	15'-0"	14'-2"	13'-1"
800SJ250-43	12'-8"	11'-6"	10'-10"	10'-1"	11'-6"	10'-6"	9'-10"	9'-2"	800SJ250-43	12'-8"	11'-6"	10'-10"	10'-1"	12'-8"	11'-6"	10'-10"	10'-1"
800SJ250-54	13'-8"	12'-5"	11'-8"	10'-10"	12'-5"	11'-3"	10'-7"	9'-10"	800SJ250-54	13'-8"	12'-5"	11'-8"	10'-10"	13'-8"	12'-5"	11'-8"	10'-10"
800SJ250-68	14'-8"	13'-4"	12'-6"	11'-8"	13'-4"	12'-1"	11'-5"	10'-7"	800SJ250-68	14'-8"	13'-4"	12'-6"	11'-8"	14'-8"	13'-4"	12'-6"	11'-8"
800SJ250-97	16'-4"	14'-10"	13'-11"	12'-11"	14'-10"	13'-6"	12'-8"	11'-9"	800SJ250-97	16'-4"	14'-10"	13'-11"	12'-11"	16'-4"	14'-10"	13'-11"	12'-11"
800SJ250-118	17'-4"	15'-9"	14'-10"	13'-9"	15'-9"	14'-3"	13'-5"	12'-6"	800SJ250-118	17'-4"	15'-9"	14'-10"	13'-9"	17'-4"	15'-9"	14'-10"	13'-9"
800SJ300-43	13'-2"	12'-0"	11'-3"	10'-6"	12'-0"	10'-11"	10'-3"	9'-6"	800SJ300-43	13'-2"	12'-0"	11'-3"	10'-6"	13'-2"	12'-0"	11'-3"	10'-6"
800SJ300-54	14'-2"	12'-11"	12'-1"	11'-3"	12'-11"	11'-8"	11'-0"	10'-3"	800SJ300-54	14'-2"	12'-11"	12'-1"	11'-3"	14'-2"	12'-11"	12'-1"	11'-3"
800SJ300-68	15'-3"	13'-10"	13'-0"	12'-1"	13'-10"	12'-7"	11'-10"	11'-0"	800SJ300-68	15'-3"	13'-10"	13'-0"	12'-1"	15'-3"	13'-10"	13'-0"	12'-1"
800SJ300-97	17'-0"	15'-5"	14'-6"	13'-6"	15'-5"	14'-0"	13'-2"	12'-3"	800SJ300-97	17'-0"	15'-5"	14'-6"	13'-6"	17'-0"	15'-5"	14'-6"	13'-6"
800SJ300-118	18'-0"	16'-5"	15'-5"	14'-4"	16'-5"	14'-11"	14'-0"	13'-0"	800SJ300-118	18'-0"	16'-5"	15'-5"	14'-4"	18'-0"	16'-5"	15'-5"	14'-4"
800SJ350-43	13'-10"	12'-7"	11'-10"	11'-0"	12'-7"	11'-5"	10'-9"	10'-0"	800SJ350-43	13'-10"	12'-7"	11'-10"	11'-0"	13'-10"	12'-7"	11'-10"	11'-0"
800SJ350-54	14'-11"	13'-7"	12'-9"	11'-10"	13'-7"	12'-4"	11'-7"	10'-9"	800SJ350-54	14'-11"	13'-7"	12'-9"	11'-10"	14'-11"	13'-7"	12'-9"	11'-10"
800SJ350-68	16'-1"	14'-7"	13'-9"	12'-9"	14'-7"	13'-3"	12'-5"	11'-7"	800SJ350-68	16'-1"	14'-7"	13'-9"	12'-9"	16'-1"	14'-7"	13'-9"	12'-9"
800SJ350-97	17'-11"	16'-3"	15'-4"	14'-2"	16'-3"	14'-9"	13'-11"	12'-11"	800SJ350-97	17'-11"	16'-3"	15'-4"	14'-2"	17'-11"	16'-3"	15'-4"	14'-2"
800SJ350-118	19'-0"	17'-3"	16'-3"	15'-1"	17'-3"	15'-8"	14'-9"	13'-8"	800SJ350-118	19'-0"	17'-3"	16'-3"	15'-1"	19'-0"	17'-3"	16'-3"	15'-1"

For more information, visit our website at www.BuySuperStud.com or contact our team at 732-662-6200

This information reflects the most current information available and supersedes all previous publications. Revised March 2020.

© Super Stud Building Products, Inc.



MAXIMUM FLOOR JOIST SPANS (FT – IN)

10" Members	15 PSF Dead Load plus 40 PSF Live Load							
	Live Load Deflection = L/360				Live Load Deflection = L/480			
	Spacing (in) o.c.				Spacing (in) o.c.			
SECTION	12	16	19.2	24	12	16	19.2	24
1000SJ162-54	22'-3"	20'-2"	19'-0"	17'-8"	20'-2"	18'-4"	17'-3"	16'-0"
1000SJ162-68	23'-11"	21'-8"	20'-5"	18'-11"	21'-8"	19'-8"	18'-6"	17'-2"
1000SJ162-97	26'-7"	24'-2"	22'-8"	21'-1"	24'-2"	21'-11"	20'-8"	19'-2"
1000SJ162-118	28'-2"	25'-7"	24'-1"	22'-4"	25'-7"	23'-3"	21'-10"	20'-3"
1000SJ200-54	23'-0"	20'-10"	19'-8"	18'-3"	20'-10"	18'-11"	17'-10"	16'-7"
1000SJ200-68	24'-8"	22'-5"	21'-1"	19'-7"	22'-5"	20'-4"	19'-2"	17'-10"
1000SJ200-97	27'-6"	25'-0"	23'-6"	21'-10"	25'-0"	22'-8"	21'-4"	19'-10"
1000SJ200-118	29'-2"	26'-6"	24'-11"	23'-2"	26'-6"	24'-1"	22'-8"	21'-0"
1000SJ250-54	23'-11"	21'-9"	20'-5"	19'-0"	21'-9"	19'-9"	18'-7"	17'-3"
1000SJ250-68	25'-8"	23'-4"	22'-0"	20'-5"	23'-4"	21'-2"	19'-11"	18'-6"
1000SJ250-97	28'-8"	26'-0"	24'-6"	22'-9"	26'-0"	23'-8"	22'-3"	20'-8"
1000SJ250-118	30'-5"	27'-7"	26'-0"	24'-1"	27'-7"	25'-1"	23'-7"	21'-11"
1000SJ300-54	24'-9"	22'-6"	21'-2"	19'-8"	22'-6"	20'-5"	19'-3"	17'-10"
1000SJ300-68	26'-8"	24'-2"	22'-9"	21'-2"	24'-2"	22'-0"	20'-8"	19'-2"
1000SJ300-97	29'-9"	27'-0"	25'-5"	23'-7"	27'-0"	24'-6"	23'-1"	21'-5"
1000SJ300-118	31'-7"	28'-8"	27'-0"	25'-0"	28'-8"	26'-0"	24'-6"	22'-9"
1000SJ350-54	26'-0"	23'-7"	22'-2"	20'-7"	23'-7"	21'-5"	20'-2"	18'-9"
1000SJ350-68	27'-11"	25'-5"	23'-11"	22'-2"	25'-5"	23'-1"	21'-8"	20'-2"
1000SJ350-97	31'-3"	28'-4"	26'-8"	24'-9"	28'-4"	25'-9"	24'-3"	22'-6"
1000SJ350-118	33'-2"	30'-2"	28'-4"	26'-4"	30'-2"	27'-4"	25'-9"	23'-11"

10" Members	40 PSF Dead Load plus 40 PSF Live Load							
	Live Load Deflection = L/360				Live Load Deflection = L/480			
	Spacing (in) o.c.				Spacing (in) o.c.			
SECTION	12	16	19.2	24	12	16	19.2	24
1000SJ162-54	20'-2"	18'-4"	17'-3"	16'-0"	20'-2"	18'-4"	17'-3"	16'-0"
1000SJ162-68	21'-8"	19'-8"	18'-6"	17'-2"	21'-8"	19'-8"	18'-6"	17'-2"
1000SJ162-97	24'-2"	21'-11"	20'-8"	19'-2"	24'-2"	21'-11"	20'-8"	19'-2"
1000SJ162-118	25'-7"	23'-3"	21'-10"	20'-3"	25'-7"	23'-3"	21'-10"	20'-3"
1000SJ200-54	20'-10"	18'-11"	17'-10"	16'-7"	20'-10"	18'-11"	17'-10"	16'-7"
1000SJ200-68	22'-5"	20'-4"	19'-2"	17'-10"	22'-5"	20'-4"	19'-2"	17'-10"
1000SJ200-97	25'-0"	22'-8"	21'-4"	19'-10"	25'-0"	22'-8"	21'-4"	19'-10"
1000SJ200-118	26'-6"	24'-1"	22'-8"	21'-0"	26'-6"	24'-1"	22'-8"	21'-0"
1000SJ250-54	21'-9"	19'-9"	18'-7"	17'-3"	21'-9"	19'-9"	18'-7"	17'-3"
1000SJ250-68	23'-4"	21'-2"	19'-11"	18'-6"	23'-4"	21'-2"	19'-11"	18'-6"
1000SJ250-97	26'-0"	23'-8"	22'-3"	20'-8"	26'-0"	23'-8"	22'-3"	20'-8"
1000SJ250-118	27'-7"	25'-1"	23'-7"	21'-11"	27'-7"	25'-1"	23'-7"	21'-11"
1000SJ300-54	22'-6"	20'-5"	19'-3"	17'-10"	22'-6"	20'-5"	19'-3"	17'-10"
1000SJ300-68	24'-2"	22'-0"	20'-8"	19'-2"	24'-2"	22'-0"	20'-8"	19'-2"
1000SJ300-97	27'-0"	24'-6"	23'-1"	21'-5"	27'-0"	24'-6"	23'-1"	21'-5"
1000SJ300-118	28'-8"	26'-0"	24'-6"	22'-9"	28'-8"	26'-0"	24'-6"	22'-9"
1000SJ350-54	23'-7"	21'-5"	20'-2"	18'-9"	23'-7"	21'-5"	20'-2"	18'-9"
1000SJ350-68	25'-5"	23'-1"	21'-8"	20'-2"	25'-5"	23'-1"	21'-8"	20'-2"
1000SJ350-97	28'-4"	25'-9"	24'-3"	22'-6"	28'-4"	25'-9"	24'-3"	22'-6"
1000SJ350-118	30'-2"	27'-4"	25'-9"	23'-11"	30'-2"	27'-4"	25'-9"	23'-11"

For more Information, visit our website at www.BuySuperStud.com or contact our team at 732-662-6200

This information reflects the most current information available and supersedes all previous publications. Revised March 2020.

© Super Stud Building Products, Inc.



MAXIMUM FLOOR JOIST SPANS (FT – IN)

10" Members	15 PSF Dead Load plus 60 PSF Live Load							
	Live Load Deflection = L/360				Live Load Deflection = L/480			
	Spacing (in) o.c.				Spacing (in) o.c.			
SECTION	12	16	19.2	24	12	16	19.2	24
1000SJ162-54	19'-5"	17'-8"	16'-7"	15'-5"	17'-8"	16'-0"	15'-1"	14'-0"
1000SJ162-68	20'-10"	18'-11"	17'-10"	16'-7"	18'-11"	17'-2"	16'-2"	15'-0"
1000SJ162-97	23'-2"	21'-1"	19'-10"	18'-5"	21'-1"	19'-2"	18'-0"	16'-9"
1000SJ162-118	24'-7"	22'-4"	21'-0"	19'-6"	22'-4"	20'-3"	19'-1"	17'-9"
1000SJ200-54	20'-1"	18'-3"	17'-2"	15'-11"	18'-3"	16'-7"	15'-7"	14'-5"
1000SJ200-68	21'-7"	19'-7"	18'-5"	17'-1"	19'-7"	17'-10"	16'-9"	15'-6"
1000SJ200-97	24'-0"	21'-10"	20'-6"	19'-1"	21'-10"	19'-10"	18'-8"	17'-4"
1000SJ200-118	25'-6"	23'-2"	21'-9"	20'-2"	23'-2"	21'-0"	19'-9"	18'-4"
1000SJ250-54	20'-10"	19'-0"	17'-10"	16'-7"	19'-0"	17'-3"	16'-2"	15'-0"
1000SJ250-68	22'-5"	20'-5"	19'-2"	17'-10"	20'-5"	18'-6"	17'-5"	16'-2"
1000SJ250-97	25'-0"	22'-9"	21'-5"	19'-10"	22'-9"	20'-8"	19'-5"	18'-0"
1000SJ250-118	26'-7"	24'-1"	22'-8"	21'-1"	24'-1"	21'-11"	20'-7"	19'-2"
1000SJ300-54	21'-8"	19'-8"	18'-6"	17'-2"	19'-8"	17'-10"	16'-9"	15'-7"
1000SJ300-68	23'-3"	21'-2"	19'-11"	18'-5"	21'-2"	19'-2"	18'-1"	16'-9"
1000SJ300-97	25'-11"	23'-7"	22'-2"	20'-7"	23'-7"	21'-5"	20'-2"	18'-8"
1000SJ300-118	27'-7"	25'-0"	23'-7"	21'-10"	25'-0"	22'-9"	21'-5"	19'-10"
1000SJ350-54	22'-8"	20'-7"	19'-5"	18'-0"	20'-7"	18'-9"	17'-7"	16'-4"
1000SJ350-68	24'-5"	22'-2"	20'-10"	19'-4"	22'-2"	20'-2"	18'-11"	17'-7"
1000SJ350-97	27'-3"	24'-9"	23'-4"	21'-8"	24'-9"	22'-6"	21'-2"	19'-8"
1000SJ350-118	29'-0"	26'-4"	24'-9"	23'-0"	26'-4"	23'-11"	22'-6"	20'-11"

10" Members	40 PSF Dead Load plus 60 PSF Live Load							
	Live Load Deflection = L/360				Live Load Deflection = L/480			
	Spacing (in) o.c.				Spacing (in) o.c.			
SECTION	12	16	19.2	24	12	16	19.2	24
1000SJ162-54	18'-9"	17'-0"	16'-0"	14'-10"	17'-8"	16'-0"	15'-1"	14'-0"
1000SJ162-68	20'-2"	18'-3"	17'-2"	16'-0"	18'-11"	17'-2"	16'-2"	15'-0"
1000SJ162-97	22'-5"	20'-4"	19'-2"	17'-9"	21'-1"	19'-2"	18'-0"	16'-9"
1000SJ162-118	23'-9"	21'-7"	20'-3"	18'-10"	22'-4"	20'-3"	19'-1"	17'-9"
1000SJ200-54	19'-4"	17'-7"	16'-7"	15'-4"	18'-3"	16'-7"	15'-7"	14'-5"
1000SJ200-68	20'-10"	18'-11"	17'-10"	16'-6"	19'-7"	17'-10"	16'-9"	15'-6"
1000SJ200-97	23'-2"	21'-1"	19'-10"	18'-5"	21'-10"	19'-10"	18'-8"	17'-4"
1000SJ200-118	24'-7"	22'-4"	21'-0"	19'-6"	23'-2"	21'-0"	19'-9"	18'-4"
1000SJ250-54	20'-2"	18'-4"	17'-3"	16'-0"	19'-0"	17'-3"	16'-2"	15'-0"
1000SJ250-68	21'-8"	19'-8"	18'-6"	17'-2"	20'-5"	18'-6"	17'-5"	16'-2"
1000SJ250-97	24'-2"	21'-11"	20'-8"	19'-2"	22'-9"	20'-8"	19'-5"	18'-0"
1000SJ250-118	25'-8"	23'-3"	21'-11"	20'-4"	24'-1"	21'-11"	20'-7"	19'-2"
1000SJ300-54	20'-11"	19'-0"	17'-10"	16'-7"	19'-8"	17'-10"	16'-9"	15'-7"
1000SJ300-68	22'-5"	20'-5"	19'-2"	17'-10"	21'-2"	19'-2"	18'-1"	16'-9"
1000SJ300-97	25'-1"	22'-9"	21'-5"	19'-11"	23'-7"	21'-5"	20'-2"	18'-8"
1000SJ300-118	26'-7"	24'-2"	22'-9"	21'-1"	25'-0"	22'-9"	21'-5"	19'-10"
1000SJ350-54	21'-11"	19'-11"	18'-9"	17'-4"	20'-7"	18'-9"	17'-7"	16'-4"
1000SJ350-68	23'-7"	21'-5"	20'-2"	18'-8"	22'-2"	20'-2"	18'-11"	17'-7"
1000SJ350-97	26'-4"	23'-11"	22'-6"	20'-11"	24'-9"	22'-6"	21'-2"	19'-8"
1000SJ350-118	28'-0"	25'-5"	23'-11"	22'-2"	26'-4"	23'-11"	22'-6"	20'-11"



MAXIMUM FLOOR JOIST SPANS (FT – IN)

10" Members	15 PSF Dead Load plus 125 PSF Live Load							
	Live Load Deflection = L/360				Live Load Deflection = L/480			
	Spacing (in) o.c.				Spacing (in) o.c.			
SECTION	12	16	19.2	24	12	16	19.2	24
1000SJ162-54	15'-2"	13'-10"	13'-0"	12'-1"	13'-10"	12'-6"	11'-9"	10'-11"
1000SJ162-68	16'-4"	14'-10"	13'-11"	12'-11"	14'-10"	13'-6"	12'-8"	11'-9"
1000SJ162-97	18'-2"	16'-6"	15'-6"	14'-5"	16'-6"	15'-0"	14'-1"	13'-1"
1000SJ162-118	19'-3"	17'-6"	16'-5"	15'-3"	17'-6"	15'-10"	14'-11"	13'-10"
1000SJ200-54	15'-8"	14'-3"	13'-5"	12'-5"	14'-3"	12'-11"	12'-2"	11'-4"
1000SJ200-68	16'-11"	15'-4"	14'-5"	13'-5"	15'-4"	13'-11"	13'-1"	12'-2"
1000SJ200-97	18'-10"	17'-1"	16'-1"	14'-11"	17'-1"	15'-6"	14'-7"	13'-6"
1000SJ200-118	19'-11"	18'-1"	17'-0"	15'-10"	18'-1"	16'-5"	15'-6"	14'-4"
1000SJ250-54	16'-4"	14'-10"	14'-0"	12'-11"	14'-10"	13'-6"	12'-8"	11'-9"
1000SJ250-68	17'-7"	15'-11"	15'-0"	13'-11"	15'-11"	14'-6"	13'-8"	12'-8"
1000SJ250-97	19'-7"	17'-9"	16'-9"	15'-6"	17'-9"	16'-2"	15'-2"	14'-1"
1000SJ250-118	20'-9"	18'-11"	17'-9"	16'-6"	18'-11"	17'-2"	16'-2"	15'-0"
1000SJ300-54	16'-11"	15'-4"	14'-6"	13'-5"	15'-4"	14'-0"	13'-2"	12'-2"
1000SJ300-68	18'-2"	16'-6"	15'-7"	14'-5"	16'-6"	15'-0"	14'-2"	13'-1"
1000SJ300-97	20'-4"	18'-5"	17'-4"	16'-1"	18'-5"	16'-9"	15'-9"	14'-8"
1000SJ300-118	21'-7"	19'-7"	18'-5"	17'-1"	19'-7"	17'-10"	16'-9"	15'-6"
1000SJ350-54	17'-9"	16'-2"	15'-2"	14'-1"	16'-2"	14'-8"	13'-9"	12'-9"
1000SJ350-68	19'-1"	17'-4"	16'-4"	15'-2"	17'-4"	15'-9"	14'-10"	13'-9"
1000SJ350-97	21'-4"	19'-5"	18'-3"	16'-11"	19'-5"	17'-7"	16'-7"	15'-5"
1000SJ350-118	22'-8"	20'-7"	19'-5"	18'-0"	20'-7"	18'-9"	17'-7"	16'-4"

10" Members	40 PSF Dead Load plus 125 PSF Live Load							
	Live Load Deflection = L/360				Live Load Deflection = L/480			
	Spacing (in) o.c.				Spacing (in) o.c.			
SECTION	12	16	19.2	24	12	16	19.2	24
1000SJ162-54	15'-2"	13'-10"	13'-0"	12'-1"	15'-2"	13'-10"	13'-0"	12'-1"
1000SJ162-68	16'-4"	14'-10"	13'-11"	12'-11"	16'-4"	14'-10"	13'-11"	12'-11"
1000SJ162-97	18'-2"	16'-6"	15'-6"	14'-5"	18'-2"	16'-6"	15'-6"	14'-5"
1000SJ162-118	19'-3"	17'-6"	16'-5"	15'-3"	19'-3"	17'-6"	16'-5"	15'-3"
1000SJ200-54	15'-8"	14'-3"	13'-5"	12'-5"	15'-8"	14'-3"	13'-5"	12'-5"
1000SJ200-68	16'-11"	15'-4"	14'-5"	13'-5"	16'-11"	15'-4"	14'-5"	13'-5"
1000SJ200-97	18'-10"	17'-1"	16'-1"	14'-11"	18'-10"	17'-1"	16'-1"	14'-11"
1000SJ200-118	19'-11"	18'-1"	17'-0"	15'-10"	19'-11"	18'-1"	17'-0"	15'-10"
1000SJ250-54	16'-4"	14'-10"	14'-0"	12'-11"	16'-4"	14'-10"	14'-0"	12'-11"
1000SJ250-68	17'-7"	15'-11"	15'-0"	13'-11"	17'-7"	15'-11"	15'-0"	13'-11"
1000SJ250-97	19'-7"	17'-9"	16'-9"	15'-6"	19'-7"	17'-9"	16'-9"	15'-6"
1000SJ250-118	20'-9"	18'-11"	17'-9"	16'-6"	20'-9"	18'-11"	17'-9"	16'-6"
1000SJ300-54	16'-11"	15'-4"	14'-6"	13'-5"	16'-11"	15'-4"	14'-6"	13'-5"
1000SJ300-68	18'-2"	16'-6"	15'-7"	14'-5"	18'-2"	16'-6"	15'-7"	14'-5"
1000SJ300-97	20'-4"	18'-5"	17'-4"	16'-1"	20'-4"	18'-5"	17'-4"	16'-1"
1000SJ300-118	21'-7"	19'-7"	18'-5"	17'-1"	21'-7"	19'-7"	18'-5"	17'-1"
1000SJ350-54	17'-9"	16'-2"	15'-2"	14'-1"	17'-9"	16'-2"	15'-2"	14'-1"
1000SJ350-68	19'-1"	17'-4"	16'-4"	15'-2"	19'-1"	17'-4"	16'-4"	15'-2"
1000SJ350-97	21'-4"	19'-5"	18'-3"	16'-11"	21'-4"	19'-5"	18'-3"	16'-11"
1000SJ350-118	22'-8"	20'-7"	19'-5"	18'-0"	22'-8"	20'-7"	19'-5"	18'-0"



MAXIMUM FLOOR JOIST SPANS (FT – IN)

12" Members SECTION	15 PSF Dead Load plus 40 PSF Live Load							
	Live Load Deflection = L/360				Live Load Deflection = L/480			
	Spacing (in) o.c.				Spacing (in) o.c.			
	12	16	19.2	24	12	16	19.2	24
1200SJ162-54	24'-11"	22'-8"	21'-4"	19'-9"	22'-8"	20'-7"	19'-4"	18'-0"
1200SJ162-68	26'-7"	24'-2"	22'-9"	21'-1"	24'-2"	21'-11"	20'-8"	19'-2"
1200SJ162-97	29'-7"	26'-10"	25'-3"	23'-5"	26'-10"	24'-5"	22'-11"	21'-4"
1200SJ162-118	31'-3"	28'-4"	26'-8"	24'-9"	28'-4"	25'-9"	24'-3"	22'-6"
1200SJ200-54	26'-10"	24'-5"	22'-11"	21'-4"	24'-5"	22'-2"	20'-10"	19'-4"
1200SJ200-68	27'-9"	25'-3"	23'-9"	22'-1"	25'-3"	22'-11"	21'-7"	20'-0"
1200SJ200-97	30'-11"	28'-1"	26'-5"	24'-7"	28'-1"	25'-6"	24'-0"	22'-4"
1200SJ200-118	32'-9"	29'-9"	28'-0"	26'-0"	29'-9"	27'-0"	25'-5"	23'-7"
1200SJ250-54	26'-10"	24'-5"	22'-11"	21'-4"	24'-5"	22'-2"	20'-10"	19'-4"
1200SJ250-68	28'-11"	26'-3"	24'-9"	22'-11"	26'-3"	23'-11"	22'-6"	20'-10"
1200SJ250-97	32'-3"	29'-4"	27'-7"	25'-7"	29'-4"	26'-7"	25'-1"	23'-3"
1200SJ250-118	34'-2"	31'-0"	29'-2"	27'-1"	31'-0"	28'-2"	26'-6"	24'-7"
1200SJ300-54	27'-10"	25'-3"	23'-10"	22'-1"	25'-3"	23'-0"	21'-7"	20'-1"
1200SJ300-68	30'-0"	27'-3"	25'-8"	23'-10"	27'-3"	24'-9"	23'-4"	21'-7"
1200SJ300-97	33'-6"	30'-5"	28'-7"	26'-7"	30'-5"	27'-7"	26'-0"	24'-1"
1200SJ300-118	35'-6"	32'-3"	30'-4"	28'-2"	32'-3"	29'-3"	27'-6"	25'-7"
1200SJ350-54	29'-3"	26'-7"	25'-0"	23'-3"	26'-7"	24'-2"	22'-9"	21'-1"
1200SJ350-68	31'-6"	28'-7"	26'-11"	25'-0"	28'-7"	26'-0"	24'-5"	22'-8"
1200SJ350-97	35'-3"	32'-0"	30'-1"	27'-11"	32'-0"	29'-1"	27'-4"	25'-5"
1200SJ350-118	37'-4"	33'-11"	31'-11"	29'-8"	33'-11"	30'-10"	29'-0"	26'-11"

12" Members SECTION	40 PSF Dead Load plus 40 PSF Live Load							
	Live Load Deflection = L/360				Live Load Deflection = L/480			
	Spacing (in) o.c.				Spacing (in) o.c.			
	12	16	19.2	24	12	16	19.2	24
1200SJ162-54	22'-8"	20'-7"	19'-4"	18'-0"	22'-8"	20'-7"	19'-4"	18'-0"
1200SJ162-68	24'-2"	21'-11"	20'-8"	19'-2"	24'-2"	21'-11"	20'-8"	19'-2"
1200SJ162-97	26'-10"	24'-5"	22'-11"	21'-4"	26'-10"	24'-5"	22'-11"	21'-4"
1200SJ162-118	28'-4"	25'-9"	24'-3"	22'-6"	28'-4"	25'-9"	24'-3"	22'-6"
1200SJ200-54	24'-5"	22'-2"	20'-10"	19'-4"	24'-5"	22'-2"	20'-10"	19'-4"
1200SJ200-68	25'-3"	22'-11"	21'-7"	20'-0"	25'-3"	22'-11"	21'-7"	20'-0"
1200SJ200-97	28'-1"	25'-6"	24'-0"	22'-4"	28'-1"	25'-6"	24'-0"	22'-4"
1200SJ200-118	29'-9"	27'-0"	25'-5"	23'-7"	29'-9"	27'-0"	25'-5"	23'-7"
1200SJ250-54	24'-5"	22'-2"	20'-10"	19'-4"	24'-5"	22'-2"	20'-10"	19'-4"
1200SJ250-68	26'-3"	23'-11"	22'-6"	20'-10"	26'-3"	23'-11"	22'-6"	20'-10"
1200SJ250-97	29'-4"	26'-7"	25'-1"	23'-3"	29'-4"	26'-7"	25'-1"	23'-3"
1200SJ250-118	31'-0"	28'-2"	26'-6"	24'-7"	31'-0"	28'-2"	26'-6"	24'-7"
1200SJ300-54	25'-3"	23'-0"	21'-7"	20'-1"	25'-3"	23'-0"	21'-7"	20'-1"
1200SJ300-68	27'-3"	24'-9"	23'-4"	21'-7"	27'-3"	24'-9"	23'-4"	21'-7"
1200SJ300-97	30'-5"	27'-7"	26'-0"	24'-1"	30'-5"	27'-7"	26'-0"	24'-1"
1200SJ300-118	32'-3"	29'-3"	27'-6"	25'-7"	32'-3"	29'-3"	27'-6"	25'-7"
1200SJ350-54	26'-7"	24'-2"	22'-9"	21'-1"	26'-7"	24'-2"	22'-9"	21'-1"
1200SJ350-68	28'-7"	26'-0"	24'-5"	22'-8"	28'-7"	26'-0"	24'-5"	22'-8"
1200SJ350-97	32'-0"	29'-1"	27'-4"	25'-5"	32'-0"	29'-1"	27'-4"	25'-5"
1200SJ350-118	33'-11"	30'-10"	29'-0"	26'-11"	33'-11"	30'-10"	29'-0"	26'-11"



MAXIMUM FLOOR JOIST SPANS (FT – IN)

12" Members SECTION	15 PSF Dead Load plus 60 PSF Live Load							
	Live Load Deflection = L/360				Live Load Deflection = L/480			
	Spacing (in) o.c.				Spacing (in) o.c.			
	12	16	19.2	24	12	16	19.2	24
1200SJ162-54	21'-9"	19'-9"	18'-7"	17'-3"	19'-9"	18'-0"	16'-11"	15'-8"
1200SJ162-68	23'-3"	21'-1"	19'-10"	18'-5"	21'-1"	19'-2"	18'-0"	16'-9"
1200SJ162-97	25'-10"	23'-5"	22'-1"	20'-6"	23'-5"	21'-4"	20'-1"	18'-7"
1200SJ162-118	27'-3"	24'-9"	23'-4"	21'-8"	24'-9"	22'-6"	21'-2"	19'-8"
1200SJ200-54	23'-5"	21'-4"	20'-0"	18'-7"	21'-4"	19'-4"	18'-2"	16'-11"
1200SJ200-68	24'-3"	22'-1"	20'-9"	19'-3"	22'-1"	20'-0"	18'-10"	17'-6"
1200SJ200-97	27'-0"	24'-7"	23'-1"	21'-5"	24'-7"	22'-4"	21'-0"	19'-6"
1200SJ200-118	28'-7"	26'-0"	24'-5"	22'-8"	26'-0"	23'-7"	22'-2"	20'-7"
1200SJ250-54	23'-5"	21'-4"	20'-1"	18'-7"	21'-4"	19'-4"	18'-3"	16'-11"
1200SJ250-68	25'-3"	22'-11"	21'-7"	20'-1"	22'-11"	20'-10"	19'-7"	18'-3"
1200SJ250-97	28'-2"	25'-7"	24'-1"	22'-4"	25'-7"	23'-3"	21'-10"	20'-4"
1200SJ250-118	29'-10"	27'-1"	25'-6"	23'-8"	27'-1"	24'-7"	23'-2"	21'-6"
1200SJ300-54	24'-4"	22'-1"	20'-9"	19'-3"	22'-1"	20'-1"	18'-11"	17'-6"
1200SJ300-68	26'-2"	23'-10"	22'-5"	20'-9"	23'-10"	21'-7"	20'-4"	18'-11"
1200SJ300-97	29'-3"	26'-7"	25'-0"	23'-2"	26'-7"	24'-1"	22'-8"	21'-1"
1200SJ300-118	31'-0"	28'-2"	26'-6"	24'-7"	28'-2"	25'-7"	24'-1"	22'-4"
1200SJ350-54	25'-7"	23'-3"	21'-10"	20'-3"	23'-3"	21'-1"	19'-10"	18'-5"
1200SJ350-68	27'-6"	25'-0"	23'-6"	21'-10"	25'-0"	22'-8"	21'-4"	19'-10"
1200SJ350-97	30'-9"	27'-11"	26'-3"	24'-5"	27'-11"	25'-5"	23'-11"	22'-2"
1200SJ350-118	32'-8"	29'-8"	27'-11"	25'-11"	29'-8"	26'-11"	25'-4"	23'-6"

12" Members SECTION	40 PSF Dead Load plus 60 PSF Live Load							
	Live Load Deflection = L/360				Live Load Deflection = L/480			
	Spacing (in) o.c.				Spacing (in) o.c.			
	12	16	19.2	24	12	16	19.2	24
1200SJ162-54	21'-0"	19'-1"	18'-0"	16'-8"	19'-9"	18'-0"	16'-11"	15'-8"
1200SJ162-68	22'-5"	20'-4"	19'-2"	17'-9"	21'-1"	19'-2"	18'-0"	16'-9"
1200SJ162-97	24'-11"	22'-8"	21'-4"	19'-9"	23'-5"	21'-4"	20'-1"	18'-7"
1200SJ162-118	26'-4"	23'-11"	22'-6"	20'-11"	24'-9"	22'-6"	21'-2"	19'-8"
1200SJ200-54	22'-8"	20'-7"	19'-4"	17'-11"	21'-4"	19'-4"	18'-2"	16'-11"
1200SJ200-68	23'-5"	21'-3"	20'-0"	18'-7"	22'-1"	20'-0"	18'-10"	17'-6"
1200SJ200-97	26'-1"	23'-8"	22'-4"	20'-8"	24'-7"	22'-4"	21'-0"	19'-6"
1200SJ200-118	27'-7"	25'-1"	23'-7"	21'-11"	26'-0"	23'-7"	22'-2"	20'-7"
1200SJ250-54	22'-8"	20'-7"	19'-4"	18'-0"	21'-4"	19'-4"	18'-3"	16'-11"
1200SJ250-68	24'-5"	22'-2"	20'-10"	19'-4"	22'-11"	20'-10"	19'-7"	18'-3"
1200SJ250-97	27'-2"	24'-8"	23'-3"	21'-7"	25'-7"	23'-3"	21'-10"	20'-4"
1200SJ250-118	28'-10"	26'-2"	24'-7"	22'-10"	27'-1"	24'-7"	23'-2"	21'-6"
1200SJ300-54	23'-6"	21'-4"	20'-1"	18'-7"	22'-1"	20'-1"	18'-11"	17'-6"
1200SJ300-68	25'-4"	23'-0"	21'-7"	20'-1"	23'-10"	21'-7"	20'-4"	18'-11"
1200SJ300-97	28'-3"	25'-8"	24'-1"	22'-5"	26'-7"	24'-1"	22'-8"	21'-1"
1200SJ300-118	29'-11"	27'-2"	25'-7"	23'-9"	28'-2"	25'-7"	24'-1"	22'-4"
1200SJ350-54	24'-8"	22'-5"	21'-1"	19'-7"	23'-3"	21'-1"	19'-10"	18'-5"
1200SJ350-68	26'-7"	24'-2"	22'-8"	21'-1"	25'-0"	22'-8"	21'-4"	19'-10"
1200SJ350-97	29'-8"	27'-0"	25'-5"	23'-7"	27'-11"	25'-5"	23'-11"	22'-2"
1200SJ350-118	31'-6"	28'-7"	26'-11"	25'-0"	29'-8"	26'-11"	25'-4"	23'-6"



MAXIMUM FLOOR JOIST SPANS (FT – IN)

12" Members SECTION	15 PSF Dead Load plus 125 PSF Live Load							
	Live Load Deflection = L/360				Live Load Deflection = L/480			
	Spacing (in) o.c.				Spacing (in) o.c.			
	12	16	19.2	24	12	16	19.2	24
1200SJ162-54	17'-0"	15'-6"	14'-7"	13'-6"	15'-6"	14'-1"	13'-3"	12'-3"
1200SJ162-68	18'-2"	16'-6"	15'-6"	14'-5"	16'-6"	15'-0"	14'-1"	13'-1"
1200SJ162-97	20'-3"	18'-4"	17'-3"	16'-0"	18'-4"	16'-8"	15'-8"	14'-7"
1200SJ162-118	21'-4"	19'-5"	18'-3"	16'-11"	19'-5"	17'-7"	16'-7"	15'-5"
1200SJ200-54	18'-4"	16'-8"	15'-8"	14'-7"	16'-8"	15'-2"	14'-3"	13'-3"
1200SJ200-68	19'-0"	17'-3"	16'-3"	15'-1"	17'-3"	15'-8"	14'-9"	13'-8"
1200SJ200-97	21'-2"	19'-3"	18'-1"	16'-9"	19'-3"	17'-5"	16'-5"	15'-3"
1200SJ200-118	22'-4"	20'-4"	19'-1"	17'-9"	20'-4"	18'-5"	17'-4"	16'-1"
1200SJ250-54	18'-4"	16'-8"	15'-8"	14'-7"	16'-8"	15'-2"	14'-3"	13'-3"
1200SJ250-68	19'-9"	18'-0"	16'-11"	15'-8"	18'-0"	16'-4"	15'-4"	14'-3"
1200SJ250-97	22'-1"	20'-0"	18'-10"	17'-6"	20'-0"	18'-2"	17'-1"	15'-11"
1200SJ250-118	23'-4"	21'-2"	19'-11"	18'-6"	21'-2"	19'-3"	18'-1"	16'-10"
1200SJ300-54	19'-0"	17'-3"	16'-3"	15'-1"	17'-3"	15'-8"	14'-9"	13'-8"
1200SJ300-68	20'-6"	18'-8"	17'-6"	16'-3"	18'-8"	16'-11"	15'-11"	14'-9"
1200SJ300-97	22'-11"	20'-9"	19'-7"	18'-2"	20'-9"	18'-11"	17'-9"	16'-6"
1200SJ300-118	24'-3"	22'-0"	20'-9"	19'-3"	22'-0"	20'-0"	18'-10"	17'-6"
1200SJ350-54	20'-0"	18'-2"	17'-1"	15'-10"	18'-2"	16'-6"	15'-6"	14'-5"
1200SJ350-68	21'-6"	19'-7"	18'-5"	17'-1"	19'-7"	17'-9"	16'-9"	15'-6"
1200SJ350-97	24'-1"	21'-10"	20'-7"	19'-1"	21'-10"	19'-10"	18'-8"	17'-4"
1200SJ350-118	25'-6"	23'-2"	21'-10"	20'-3"	23'-2"	21'-1"	19'-10"	18'-5"

12" Members SECTION	40 PSF Dead Load plus 125 PSF Live Load							
	Live Load Deflection = L/360				Live Load Deflection = L/480			
	Spacing (in) o.c.				Spacing (in) o.c.			
	12	16	19.2	24	12	16	19.2	24
1200SJ162-54	17'-0"	15'-6"	14'-7"	13'-6"	17'-0"	15'-6"	14'-7"	13'-6"
1200SJ162-68	18'-2"	16'-6"	15'-6"	14'-5"	18'-2"	16'-6"	15'-6"	14'-5"
1200SJ162-97	20'-3"	18'-4"	17'-3"	16'-0"	20'-3"	18'-4"	17'-3"	16'-0"
1200SJ162-118	21'-4"	19'-5"	18'-3"	16'-11"	21'-4"	19'-5"	18'-3"	16'-11"
1200SJ200-54	18'-4"	16'-8"	15'-8"	14'-7"	18'-4"	16'-8"	15'-8"	14'-7"
1200SJ200-68	19'-0"	17'-3"	16'-3"	15'-1"	19'-0"	17'-3"	16'-3"	15'-1"
1200SJ200-97	21'-2"	19'-3"	18'-1"	16'-9"	21'-2"	19'-3"	18'-1"	16'-9"
1200SJ200-118	22'-4"	20'-4"	19'-1"	17'-9"	22'-4"	20'-4"	19'-1"	17'-9"
1200SJ250-54	18'-4"	16'-8"	15'-8"	14'-7"	18'-4"	16'-8"	15'-8"	14'-7"
1200SJ250-68	19'-9"	18'-0"	16'-11"	15'-8"	19'-9"	18'-0"	16'-11"	15'-8"
1200SJ250-97	22'-1"	20'-0"	18'-10"	17'-6"	22'-1"	20'-0"	18'-10"	17'-6"
1200SJ250-118	23'-4"	21'-2"	19'-11"	18'-6"	23'-4"	21'-2"	19'-11"	18'-6"
1200SJ300-54	19'-0"	17'-3"	16'-3"	15'-1"	19'-0"	17'-3"	16'-3"	15'-1"
1200SJ300-68	20'-6"	18'-8"	17'-6"	16'-3"	20'-6"	18'-8"	17'-6"	16'-3"
1200SJ300-97	22'-11"	20'-9"	19'-7"	18'-2"	22'-11"	20'-9"	19'-7"	18'-2"
1200SJ300-118	24'-3"	22'-0"	20'-9"	19'-3"	24'-3"	22'-0"	20'-9"	19'-3"
1200SJ350-54	20'-0"	18'-2"	17'-1"	15'-10"	20'-0"	18'-2"	17'-1"	15'-10"
1200SJ350-68	21'-6"	19'-7"	18'-5"	17'-1"	21'-6"	19'-7"	18'-5"	17'-1"
1200SJ350-97	24'-1"	21'-10"	20'-7"	19'-1"	24'-1"	21'-10"	20'-7"	19'-1"
1200SJ350-118	25'-6"	23'-2"	21'-10"	20'-3"	25'-6"	23'-2"	21'-10"	20'-3"



MAXIMUM FLOOR JOIST SPANS (FT – IN)

14" Members SECTION	15 PSF Dead Load plus 40 PSF Live Load							
	Live Load Deflection = L/360				Live Load Deflection = L/480			
	Spacing (in) o.c.				Spacing (in) o.c.			
	12	16	19.2	24	12	16	19.2	24
1400SJ162-68	30'-9"	27'-11"	26'-4"	24'-5"	27'-11"	25'-5"	23'-11"	22'-2"
1400SJ162-97	34'-3"	31'-1"	29'-3"	27'-2"	31'-1"	28'-3"	26'-7"	24'-8"
1400SJ162-118	36'-3"	32'-11"	31'-0"	28'-9"	32'-11"	29'-11"	28'-2"	26'-2"
1400SJ200-68	32'-0"	29'-1"	27'-4"	25'-5"	29'-1"	26'-5"	24'-10"	23'-1"
1400SJ200-97	35'-8"	32'-5"	30'-6"	28'-4"	32'-5"	29'-5"	27'-8"	25'-9"
1400SJ200-118	37'-10"	34'-4"	32'-4"	30'-0"	34'-4"	31'-2"	29'-4"	27'-3"
1400SJ250-68	33'-2"	30'-2"	28'-4"	26'-4"	30'-2"	27'-5"	25'-9"	23'-11"
1400SJ250-97	37'-0"	33'-8"	31'-8"	29'-5"	33'-8"	30'-7"	28'-9"	26'-8"
1400SJ250-118	39'-3"	35'-8"	33'-7"	31'-2"	35'-8"	32'-5"	30'-6"	28'-4"
1400SJ300-68	34'-3"	31'-2"	29'-4"	27'-2"	31'-2"	28'-4"	26'-8"	24'-9"
1400SJ300-97	38'-3"	34'-9"	32'-9"	30'-5"	34'-9"	31'-7"	29'-9"	27'-7"
1400SJ300-118	40'-8"	36'-11"	34'-9"	32'-3"	36'-11"	33'-6"	31'-7"	29'-3"
1400SJ350-68	35'-11"	32'-8"	30'-8"	28'-6"	32'-8"	29'-8"	27'-11"	25'-11"
1400SJ350-97	40'-2"	36'-6"	34'-4"	31'-10"	36'-6"	33'-2"	31'-2"	28'-11"
1400SJ350-118	42'-8"	38'-9"	36'-5"	33'-10"	38'-9"	35'-2"	33'-1"	30'-9"

14" Members SECTION	40 PSF Dead Load plus 40 PSF Live Load							
	Live Load Deflection = L/360				Live Load Deflection = L/480			
	Spacing (in) o.c.				Spacing (in) o.c.			
	12	16	19.2	24	12	16	19.2	24
1400SJ162-68	27'-11"	25'-5"	23'-11"	22'-2"	27'-11"	25'-5"	23'-11"	22'-2"
1400SJ162-97	31'-1"	28'-3"	26'-7"	24'-8"	31'-1"	28'-3"	26'-7"	24'-8"
1400SJ162-118	32'-11"	29'-11"	28'-2"	26'-2"	32'-11"	29'-11"	28'-2"	26'-2"
1400SJ200-68	29'-1"	26'-5"	24'-10"	23'-1"	29'-1"	26'-5"	24'-10"	23'-1"
1400SJ200-97	32'-5"	29'-5"	27'-8"	25'-9"	32'-5"	29'-5"	27'-8"	25'-9"
1400SJ200-118	34'-4"	31'-2"	29'-4"	27'-3"	34'-4"	31'-2"	29'-4"	27'-3"
1400SJ250-68	30'-2"	27'-5"	25'-9"	23'-11"	30'-2"	27'-5"	25'-9"	23'-11"
1400SJ250-97	33'-8"	30'-7"	28'-9"	26'-8"	33'-8"	30'-7"	28'-9"	26'-8"
1400SJ250-118	35'-8"	32'-5"	30'-6"	28'-4"	35'-8"	32'-5"	30'-6"	28'-4"
1400SJ300-68	31'-2"	28'-4"	26'-8"	24'-9"	31'-2"	28'-4"	26'-8"	24'-9"
1400SJ300-97	34'-9"	31'-7"	29'-9"	27'-7"	34'-9"	31'-7"	29'-9"	27'-7"
1400SJ300-118	36'-11"	33'-6"	31'-7"	29'-3"	36'-11"	33'-6"	31'-7"	29'-3"
1400SJ350-68	32'-8"	29'-8"	27'-11"	25'-11"	32'-8"	29'-8"	27'-11"	25'-11"
1400SJ350-97	36'-6"	33'-2"	31'-2"	28'-11"	36'-6"	33'-2"	31'-2"	28'-11"
1400SJ350-118	38'-9"	35'-2"	33'-1"	30'-9"	38'-9"	35'-2"	33'-1"	30'-9"



MAXIMUM FLOOR JOIST SPANS (FT – IN)

14" Members SECTION	15 PSF Dead Load plus 60 PSF Live Load							
	Live Load Deflection = L/360				Live Load Deflection = L/480			
	Spacing (in) o.c.				Spacing (in) o.c.			
	12	16	19.2	24	12	16	19.2	24
1400SJ162-68	26'-10"	24'-5"	23'-0"	21'-4"	24'-5"	22'-2"	20'-10"	19'-4"
1400SJ162-97	29'-11"	27'-2"	25'-7"	23'-9"	27'-2"	24'-8"	23'-3"	21'-7"
1400SJ162-118	31'-8"	28'-9"	27'-1"	25'-2"	28'-9"	26'-2"	24'-7"	22'-10"
1400SJ200-68	27'-11"	25'-5"	23'-11"	22'-2"	25'-5"	23'-1"	21'-8"	20'-2"
1400SJ200-97	31'-2"	28'-4"	26'-8"	24'-9"	28'-4"	25'-9"	24'-2"	22'-5"
1400SJ200-118	33'-0"	30'-0"	28'-3"	26'-2"	30'-0"	27'-3"	25'-8"	23'-10"
1400SJ250-68	29'-0"	26'-4"	24'-9"	23'-0"	26'-4"	23'-11"	22'-6"	20'-11"
1400SJ250-97	32'-4"	29'-5"	27'-8"	25'-8"	29'-5"	26'-8"	25'-1"	23'-4"
1400SJ250-118	34'-4"	31'-2"	29'-4"	27'-3"	31'-2"	28'-4"	26'-8"	24'-9"
1400SJ300-68	29'-11"	27'-2"	25'-7"	23'-9"	27'-2"	24'-9"	23'-3"	21'-7"
1400SJ300-97	33'-5"	30'-5"	28'-7"	26'-6"	30'-5"	27'-7"	26'-0"	24'-1"
1400SJ300-118	35'-6"	32'-3"	30'-4"	28'-2"	32'-3"	29'-3"	27'-7"	25'-7"
1400SJ350-68	31'-4"	28'-6"	26'-10"	24'-11"	28'-6"	25'-11"	24'-4"	22'-7"
1400SJ350-97	35'-1"	31'-10"	30'-0"	27'-10"	31'-10"	28'-11"	27'-3"	25'-3"
1400SJ350-118	37'-3"	33'-10"	31'-10"	29'-7"	33'-10"	30'-9"	28'-11"	26'-10"

14" Members SECTION	40 PSF Dead Load plus 60 PSF Live Load							
	Live Load Deflection = L/360				Live Load Deflection = L/480			
	Spacing (in) o.c.				Spacing (in) o.c.			
	12	16	19.2	24	12	16	19.2	24
1400SJ162-68	25'-11"	23'-7"	22'-2"	20'-7"	24'-5"	22'-2"	20'-10"	19'-4"
1400SJ162-97	28'-11"	26'-3"	24'-8"	22'-11"	27'-2"	24'-8"	23'-3"	21'-7"
1400SJ162-118	30'-7"	27'-9"	26'-2"	24'-3"	28'-9"	26'-2"	24'-7"	22'-10"
1400SJ200-68	27'-0"	24'-6"	23'-1"	21'-5"	25'-5"	23'-1"	21'-8"	20'-2"
1400SJ200-97	30'-1"	27'-4"	25'-9"	23'-10"	28'-4"	25'-9"	24'-2"	22'-5"
1400SJ200-118	31'-10"	28'-11"	27'-3"	25'-3"	30'-0"	27'-3"	25'-8"	23'-10"
1400SJ250-68	28'-0"	25'-5"	23'-11"	22'-2"	26'-4"	23'-11"	22'-6"	20'-11"
1400SJ250-97	31'-3"	28'-4"	26'-8"	24'-9"	29'-5"	26'-8"	25'-1"	23'-4"
1400SJ250-118	33'-1"	30'-1"	28'-4"	26'-3"	31'-2"	28'-4"	26'-8"	24'-9"
1400SJ300-68	28'-11"	26'-3"	24'-9"	22'-11"	27'-2"	24'-9"	23'-3"	21'-7"
1400SJ300-97	32'-3"	29'-4"	27'-7"	25'-7"	30'-5"	27'-7"	26'-0"	24'-1"
1400SJ300-118	34'-3"	31'-2"	29'-3"	27'-2"	32'-3"	29'-3"	27'-7"	25'-7"
1400SJ350-68	30'-3"	27'-6"	25'-11"	24'-0"	28'-6"	25'-11"	24'-4"	22'-7"
1400SJ350-97	33'-10"	30'-9"	28'-11"	26'-10"	31'-10"	28'-11"	27'-3"	25'-3"
1400SJ350-118	35'-11"	32'-8"	30'-9"	28'-6"	33'-10"	30'-9"	28'-11"	26'-10"



MAXIMUM FLOOR JOIST SPANS (FT – IN)

14" Members SECTION	15 PSF Dead Load plus 125 PSF Live Load							
	Live Load Deflection = L/360				Live Load Deflection = L/480			
	Spacing (in) o.c.				Spacing (in) o.c.			
	12	16	19.2	24	12	16	19.2	24
1400SJ162-68	21'-0"	19'-1"	18'-0"	16'-8"	19'-1"	17'-4"	16'-4"	15'-2"
1400SJ162-97	23'-5"	21'-3"	20'-0"	18'-7"	21'-3"	19'-4"	18'-2"	16'-11"
1400SJ162-118	24'-9"	22'-6"	21'-2"	19'-8"	22'-6"	20'-5"	19'-3"	17'-10"
1400SJ200-68	21'-10"	19'-10"	18'-8"	17'-4"	19'-10"	18'-1"	17'-0"	15'-9"
1400SJ200-97	24'-5"	22'-2"	20'-10"	19'-4"	22'-2"	20'-1"	18'-11"	17'-7"
1400SJ200-118	25'-10"	23'-6"	22'-1"	20'-6"	23'-6"	21'-4"	20'-1"	18'-7"
1400SJ250-68	22'-8"	20'-7"	19'-5"	18'-0"	20'-7"	18'-9"	17'-7"	16'-4"
1400SJ250-97	25'-4"	23'-0"	21'-8"	20'-1"	23'-0"	20'-11"	19'-8"	18'-3"
1400SJ250-118	26'-10"	24'-5"	22'-11"	21'-4"	24'-5"	22'-2"	20'-10"	19'-4"
1400SJ300-68	23'-5"	21'-4"	20'-0"	18'-7"	21'-4"	19'-4"	18'-2"	16'-11"
1400SJ300-97	26'-2"	23'-9"	22'-4"	20'-9"	23'-9"	21'-7"	20'-4"	18'-10"
1400SJ300-118	27'-9"	25'-3"	23'-9"	22'-0"	25'-3"	22'-11"	21'-7"	20'-0"
1400SJ350-68	24'-7"	22'-4"	21'-0"	19'-6"	22'-4"	20'-3"	19'-1"	17'-8"
1400SJ350-97	27'-5"	24'-11"	23'-6"	21'-9"	24'-11"	22'-8"	21'-4"	19'-9"
1400SJ350-118	29'-2"	26'-6"	24'-11"	23'-2"	26'-6"	24'-1"	22'-8"	21'-0"

14" Members SECTION	40 PSF Dead Load plus 125 PSF Live Load							
	Live Load Deflection = L/360				Live Load Deflection = L/480			
	Spacing (in) o.c.				Spacing (in) o.c.			
	12	16	19.2	24	12	16	19.2	24
1400SJ162-68	21'-0"	19'-1"	18'-0"	16'-8"	21'-0"	19'-1"	18'-0"	16'-8"
1400SJ162-97	23'-5"	21'-3"	20'-0"	18'-7"	23'-5"	21'-3"	20'-0"	18'-7"
1400SJ162-118	24'-9"	22'-6"	21'-2"	19'-8"	24'-9"	22'-6"	21'-2"	19'-8"
1400SJ200-68	21'-10"	19'-10"	18'-8"	17'-4"	21'-10"	19'-10"	18'-8"	17'-4"
1400SJ200-97	24'-5"	22'-2"	20'-10"	19'-4"	24'-5"	22'-2"	20'-10"	19'-4"
1400SJ200-118	25'-10"	23'-6"	22'-1"	20'-6"	25'-10"	23'-6"	22'-1"	20'-6"
1400SJ250-68	22'-8"	20'-7"	19'-5"	18'-0"	22'-8"	20'-7"	19'-5"	18'-0"
1400SJ250-97	25'-4"	23'-0"	21'-8"	20'-1"	25'-4"	23'-0"	21'-8"	20'-1"
1400SJ250-118	26'-10"	24'-5"	22'-11"	21'-4"	26'-10"	24'-5"	22'-11"	21'-4"
1400SJ300-68	23'-5"	21'-4"	20'-0"	18'-7"	23'-5"	21'-4"	20'-0"	18'-7"
1400SJ300-97	26'-2"	23'-9"	22'-4"	20'-9"	26'-2"	23'-9"	22'-4"	20'-9"
1400SJ300-118	27'-9"	25'-3"	23'-9"	22'-0"	27'-9"	25'-3"	23'-9"	22'-0"
1400SJ350-68	24'-7"	22'-4"	21'-0"	19'-6"	24'-7"	22'-4"	21'-0"	19'-6"
1400SJ350-97	27'-5"	24'-11"	23'-6"	21'-9"	27'-5"	24'-11"	23'-6"	21'-9"
1400SJ350-118	29'-2"	26'-6"	24'-11"	23'-2"	29'-2"	26'-6"	24'-11"	23'-2"



MAXIMUM FLOOR JOIST SPANS (FT – IN)

16" Members SECTION	15 PSF Dead Load plus 40 PSF Live Load							
	Live Load Deflection = L/360				Live Load Deflection = L/480			
	Spacing (in) o.c.				Spacing (in) o.c.			
	12	16	19.2	24	12	16	19.2	24
1600SJ162-97	36'-5"	33'-1"	31'-2"	28'-11"	33'-1"	30'-1"	28'-3"	26'-3"
1600SJ162-118	38'-6"	35'-0"	32'-11"	30'-7"	35'-0"	31'-9"	29'-11"	27'-9"
1600SJ200-97	38'-1"	34'-7"	32'-6"	30'-2"	34'-7"	31'-5"	29'-7"	27'-5"
1600SJ200-118	40'-4"	36'-7"	34'-5"	32'-0"	36'-7"	33'-3"	31'-4"	29'-1"
1600SJ250-97	39'-7"	36'-0"	33'-10"	31'-5"	36'-0"	32'-8"	30'-9"	28'-7"
1600SJ250-118	42'-0"	38'-2"	35'-11"	33'-4"	38'-2"	34'-8"	32'-7"	30'-3"
1600SJ300-97	41'-1"	37'-4"	35'-1"	32'-7"	37'-4"	33'-11"	31'-11"	29'-7"
1600SJ300-118	43'-7"	39'-7"	37'-3"	34'-7"	39'-7"	35'-11"	33'-10"	31'-5"
1600SJ350-97	43'-2"	39'-3"	36'-11"	34'-3"	39'-3"	35'-8"	33'-6"	31'-2"
1600SJ350-118	45'-10"	41'-8"	39'-2"	36'-5"	41'-8"	37'-10"	35'-7"	33'-1"

16" Members SECTION	40 PSF Dead Load plus 40 PSF Live Load							
	Live Load Deflection = L/360				Live Load Deflection = L/480			
	Spacing (in) o.c.				Spacing (in) o.c.			
	12	16	19.2	24	12	16	19.2	24
1600SJ162-97	33'-1"	30'-1"	28'-3"	26'-3"	33'-1"	30'-1"	28'-3"	26'-3"
1600SJ162-118	35'-0"	31'-9"	29'-11"	27'-9"	35'-0"	31'-9"	29'-11"	27'-9"
1600SJ200-97	34'-7"	31'-5"	29'-7"	27'-5"	34'-7"	31'-5"	29'-7"	27'-5"
1600SJ200-118	36'-7"	33'-3"	31'-4"	29'-1"	36'-7"	33'-3"	31'-4"	29'-1"
1600SJ250-97	36'-0"	32'-8"	30'-9"	28'-7"	36'-0"	32'-8"	30'-9"	28'-7"
1600SJ250-118	38'-2"	34'-8"	32'-7"	30'-3"	38'-2"	34'-8"	32'-7"	30'-3"
1600SJ300-97	37'-4"	33'-11"	31'-11"	29'-7"	37'-4"	33'-11"	31'-11"	29'-7"
1600SJ300-118	39'-7"	35'-11"	33'-10"	31'-5"	39'-7"	35'-11"	33'-10"	31'-5"
1600SJ350-97	39'-3"	35'-8"	33'-6"	31'-2"	39'-3"	35'-8"	33'-6"	31'-2"
1600SJ350-118	41'-8"	37'-10"	35'-7"	33'-1"	41'-8"	37'-10"	35'-7"	33'-1"



MAXIMUM FLOOR JOIST SPANS (FT – IN)

16" Members	15 PSF Dead Load plus 60 PSF Live Load							
	Live Load Deflection = L/360				Live Load Deflection = L/480			
	Spacing (in) o.c.				Spacing (in) o.c.			
SECTION	12	16	19.2	24	12	16	19.2	24
1600SJ162-97	31'-10"	28'-11"	27'-2"	25'-3"	28'-11"	26'-3"	24'-8"	22'-11"
1600SJ162-118	33'-8"	30'-7"	28'-9"	26'-8"	30'-7"	27'-9"	26'-2"	24'-3"
1600SJ200-97	33'-3"	30'-2"	28'-5"	26'-4"	30'-2"	27'-5"	25'-10"	23'-11"
1600SJ200-118	35'-2"	32'-0"	30'-1"	27'-11"	32'-0"	29'-1"	27'-4"	25'-4"
1600SJ250-97	34'-7"	31'-5"	29'-7"	27'-5"	31'-5"	28'-7"	26'-10"	24'-11"
1600SJ250-118	36'-8"	33'-4"	31'-4"	29'-1"	33'-4"	30'-3"	28'-6"	26'-5"
1600SJ300-97	35'-10"	32'-7"	30'-8"	28'-5"	32'-7"	29'-7"	27'-10"	25'-10"
1600SJ300-118	38'-0"	34'-7"	32'-6"	30'-2"	34'-7"	31'-5"	29'-6"	27'-5"
1600SJ350-97	37'-9"	34'-3"	32'-3"	29'-11"	34'-3"	31'-2"	29'-3"	27'-2"
1600SJ350-118	40'-1"	36'-5"	34'-3"	31'-9"	36'-5"	33'-1"	31'-1"	28'-10"

16" Members	40 PSF Dead Load plus 60 PSF Live Load							
	Live Load Deflection = L/360				Live Load Deflection = L/480			
	Spacing (in) o.c.				Spacing (in) o.c.			
SECTION	12	16	19.2	24	12	16	19.2	24
1600SJ162-97	30'-9"	27'-11"	26'-3"	24'-4"	28'-11"	26'-3"	24'-8"	22'-11"
1600SJ162-118	32'-6"	29'-6"	27'-9"	25'-9"	30'-7"	27'-9"	26'-2"	24'-3"
1600SJ200-97	32'-1"	29'-2"	27'-5"	25'-6"	30'-2"	27'-5"	25'-10"	23'-11"
1600SJ200-118	34'-0"	30'-10"	29'-1"	27'-0"	32'-0"	29'-1"	27'-4"	25'-4"
1600SJ250-97	33'-5"	30'-4"	28'-7"	26'-6"	31'-5"	28'-7"	26'-10"	24'-11"
1600SJ250-118	35'-5"	32'-2"	30'-3"	28'-1"	33'-4"	30'-3"	28'-6"	26'-5"
1600SJ300-97	34'-7"	31'-5"	29'-7"	27'-6"	32'-7"	29'-7"	27'-10"	25'-10"
1600SJ300-118	36'-9"	33'-4"	31'-5"	29'-2"	34'-7"	31'-5"	29'-6"	27'-5"
1600SJ350-97	36'-5"	33'-1"	31'-2"	28'-11"	34'-3"	31'-2"	29'-3"	27'-2"
1600SJ350-118	38'-8"	35'-2"	33'-1"	30'-8"	36'-5"	33'-1"	31'-1"	28'-10"



MAXIMUM FLOOR JOIST SPANS (FT – IN)

16" Members SECTION	15 PSF Dead Load plus 125 PSF Live Load							
	Live Load Deflection = L/360				Live Load Deflection = L/480			
	Spacing (in) o.c.				Spacing (in) o.c.			
	12	16	19.2	24	12	16	19.2	24
1600SJ162-97	24'-11"	22'-7"	21'-3"	19'-9"	22'-7"	20'-7"	19'-4"	17'-11"
1600SJ162-118	26'-4"	23'-11"	22'-6"	20'-11"	23'-11"	21'-9"	20'-5"	19'-0"
1600SJ200-97	26'-0"	23'-8"	22'-3"	20'-8"	23'-8"	21'-6"	20'-2"	18'-9"
1600SJ200-118	27'-7"	25'-0"	23'-7"	21'-10"	25'-0"	22'-9"	21'-5"	19'-10"
1600SJ250-97	27'-1"	24'-7"	23'-2"	21'-6"	24'-7"	22'-4"	21'-0"	19'-6"
1600SJ250-118	28'-8"	26'-1"	24'-6"	22'-9"	26'-1"	23'-8"	22'-3"	20'-8"
1600SJ300-97	28'-1"	25'-6"	24'-0"	22'-3"	25'-6"	23'-2"	21'-9"	20'-3"
1600SJ300-118	29'-9"	27'-1"	25'-5"	23'-7"	27'-1"	24'-7"	23'-1"	21'-5"
1600SJ350-97	29'-6"	26'-10"	25'-3"	23'-5"	26'-10"	24'-4"	22'-11"	21'-3"
1600SJ350-118	31'-4"	28'-6"	26'-10"	24'-10"	28'-6"	25'-10"	24'-4"	22'-7"

16" Members SECTION	40 PSF Dead Load plus 125 PSF Live Load							
	Live Load Deflection = L/360				Live Load Deflection = L/480			
	Spacing (in) o.c.				Spacing (in) o.c.			
	12	16	19.2	24	12	16	19.2	24
1600SJ162-97	24'-11"	22'-7"	21'-3"	19'-9"	24'-11"	22'-7"	21'-3"	19'-9"
1600SJ162-118	26'-4"	23'-11"	22'-6"	20'-11"	26'-4"	23'-11"	22'-6"	20'-11"
1600SJ200-97	26'-0"	23'-8"	22'-3"	20'-8"	26'-0"	23'-8"	22'-3"	20'-8"
1600SJ200-118	27'-7"	25'-0"	23'-7"	21'-10"	27'-7"	25'-0"	23'-7"	21'-10"
1600SJ250-97	27'-1"	24'-7"	23'-2"	21'-6"	27'-1"	24'-7"	23'-2"	21'-6"
1600SJ250-118	28'-8"	26'-1"	24'-6"	22'-9"	28'-8"	26'-1"	24'-6"	22'-9"
1600SJ300-97	28'-1"	25'-6"	24'-0"	22'-3"	28'-1"	25'-6"	24'-0"	22'-3"
1600SJ300-118	29'-9"	27'-1"	25'-5"	23'-7"	29'-9"	27'-1"	25'-5"	23'-7"
1600SJ350-97	29'-6"	26'-10"	25'-3"	23'-5"	29'-6"	26'-10"	25'-3"	23'-5"
1600SJ350-118	31'-4"	28'-6"	26'-10"	24'-10"	31'-4"	28'-6"	26'-10"	24'-10"



MAXIMUM FLOOR JOIST SPANS (FT – IN)

18" Members SECTION	15 PSF Dead Load plus 40 PSF Live Load							
	Live Load Deflection = L/360				Live Load Deflection = L/480			
	Spacing (in) o.c.				Spacing (in) o.c.			
	12	16	19.2	24	12	16	19.2	24
1800SJ162-97	41'-5"	37'-7"	35'-5"	32'-10"	37'-7"	34'-2"	32'-2"	29'-10"
1800SJ162-118	43'-10"	39'-10"	37'-6"	34'-10"	39'-10"	36'-2"	34'-1"	31'-7"
1800SJ200-97	43'-0"	39'-1"	36'-9"	34'-2"	39'-1"	35'-6"	33'-5"	31'-0"
1800SJ200-118	45'-7"	41'-5"	39'-0"	36'-2"	41'-5"	37'-8"	35'-5"	32'-11"
1800SJ250-97	44'-7"	40'-6"	38'-1"	35'-4"	40'-6"	36'-9"	34'-7"	32'-1"
1800SJ250-118	47'-4"	43'-0"	40'-5"	37'-6"	43'-0"	39'-0"	36'-9"	34'-1"
1800SJ300-97	46'-0"	41'-10"	39'-4"	36'-6"	41'-10"	38'-0"	35'-9"	33'-2"
1800SJ300-118	48'-10"	44'-5"	41'-9"	38'-9"	44'-5"	40'-4"	37'-11"	35'-3"
1800SJ350-97	48'-2"	43'-9"	41'-2"	38'-3"	43'-9"	39'-9"	37'-5"	34'-9"
1800SJ350-118	51'-3"	46'-6"	43'-9"	40'-8"	46'-6"	42'-3"	39'-9"	36'-11"

18" Members SECTION	40 PSF Dead Load plus 40 PSF Live Load							
	Live Load Deflection = L/360				Live Load Deflection = L/480			
	Spacing (in) o.c.				Spacing (in) o.c.			
	12	16	19.2	24	12	16	19.2	24
1800SJ162-97	37'-7"	34'-2"	32'-2"	29'-10"	37'-7"	34'-2"	32'-2"	29'-10"
1800SJ162-118	39'-10"	36'-2"	34'-1"	31'-7"	39'-10"	36'-2"	34'-1"	31'-7"
1800SJ200-97	39'-1"	35'-6"	33'-5"	31'-0"	39'-1"	35'-6"	33'-5"	31'-0"
1800SJ200-118	41'-5"	37'-8"	35'-5"	32'-11"	41'-5"	37'-8"	35'-5"	32'-11"
1800SJ250-97	40'-6"	36'-9"	34'-7"	32'-1"	40'-6"	36'-9"	34'-7"	32'-1"
1800SJ250-118	43'-0"	39'-0"	36'-9"	34'-1"	43'-0"	39'-0"	36'-9"	34'-1"
1800SJ300-97	41'-10"	38'-0"	35'-9"	33'-2"	41'-10"	38'-0"	35'-9"	33'-2"
1800SJ300-118	44'-5"	40'-4"	37'-11"	35'-3"	44'-5"	40'-4"	37'-11"	35'-3"
1800SJ350-97	43'-9"	39'-9"	37'-5"	34'-9"	43'-9"	39'-9"	37'-5"	34'-9"
1800SJ350-118	46'-6"	42'-3"	39'-9"	36'-11"	46'-6"	42'-3"	39'-9"	36'-11"



MAXIMUM FLOOR JOIST SPANS (FT – IN)

18" Members SECTION	15 PSF Dead Load plus 60 PSF Live Load							
	Live Load Deflection = L/360				Live Load Deflection = L/480			
	Spacing (in) o.c.				Spacing (in) o.c.			
	12	16	19.2	24	12	16	19.2	24
1800SJ162-97	36'-2"	32'-10"	30'-11"	28'-8"	32'-10"	29'-10"	28'-1"	26'-1"
1800SJ162-118	38'-4"	34'-10"	32'-9"	30'-5"	34'-10"	31'-7"	29'-9"	27'-7"
1800SJ200-97	37'-7"	34'-2"	32'-1"	29'-10"	34'-2"	31'-0"	29'-2"	27'-1"
1800SJ200-118	39'-10"	36'-2"	34'-1"	31'-7"	36'-2"	32'-11"	30'-11"	28'-9"
1800SJ250-97	38'-11"	35'-4"	33'-3"	30'-11"	35'-4"	32'-1"	30'-3"	28'-1"
1800SJ250-118	41'-4"	37'-6"	35'-4"	32'-9"	37'-6"	34'-1"	32'-1"	29'-9"
1800SJ300-97	40'-2"	36'-6"	34'-4"	31'-11"	36'-6"	33'-2"	31'-3"	29'-0"
1800SJ300-118	42'-8"	38'-9"	36'-6"	33'-10"	38'-9"	35'-3"	33'-2"	30'-9"
1800SJ350-97	42'-1"	38'-3"	36'-0"	33'-5"	38'-3"	34'-9"	32'-8"	30'-4"
1800SJ350-118	44'-9"	40'-8"	38'-3"	35'-6"	40'-8"	36'-11"	34'-9"	32'-3"

18" Members SECTION	40 PSF Dead Load plus 60 PSF Live Load							
	Live Load Deflection = L/360				Live Load Deflection = L/480			
	Spacing (in) o.c.				Spacing (in) o.c.			
	12	16	19.2	24	12	16	19.2	24
1800SJ162-97	34'-11"	31'-8"	29'-10"	27'-8"	32'-10"	29'-10"	28'-1"	26'-1"
1800SJ162-118	37'-0"	33'-7"	31'-7"	29'-4"	34'-10"	31'-7"	29'-9"	27'-7"
1800SJ200-97	36'-3"	32'-11"	31'-0"	28'-9"	34'-2"	31'-0"	29'-2"	27'-1"
1800SJ200-118	38'-6"	34'-11"	32'-11"	30'-6"	36'-2"	32'-11"	30'-11"	28'-9"
1800SJ250-97	37'-7"	34'-2"	32'-1"	29'-10"	35'-4"	32'-1"	30'-3"	28'-1"
1800SJ250-118	39'-11"	36'-3"	34'-1"	31'-8"	37'-6"	34'-1"	32'-1"	29'-9"
1800SJ300-97	38'-10"	35'-3"	33'-2"	30'-9"	36'-6"	33'-2"	31'-3"	29'-0"
1800SJ300-118	41'-2"	37'-5"	35'-3"	32'-8"	38'-9"	35'-3"	33'-2"	30'-9"
1800SJ350-97	40'-8"	36'-11"	34'-9"	32'-3"	38'-3"	34'-9"	32'-8"	30'-4"
1800SJ350-118	43'-2"	39'-3"	36'-11"	34'-3"	40'-8"	36'-11"	34'-9"	32'-3"



MAXIMUM FLOOR JOIST SPANS (FT – IN)

18" Members SECTION	15 PSF Dead Load plus 125 PSF Live Load							
	Live Load Deflection = L/360				Live Load Deflection = L/480			
	Spacing (in) o.c.				Spacing (in) o.c.			
	12	16	19.2	24	12	16	19.2	24
1800SJ162-97	28'-4"	25'-8"	24'-2"	22'-5"	25'-8"	23'-4"	22'-0"	20'-5"
1800SJ162-118	30'-0"	27'-3"	25'-8"	23'-9"	27'-3"	24'-9"	23'-3"	21'-7"
1800SJ200-97	29'-5"	26'-9"	25'-2"	23'-4"	26'-9"	24'-3"	22'-10"	21'-2"
1800SJ200-118	31'-2"	28'-4"	26'-8"	24'-9"	28'-4"	25'-9"	24'-3"	22'-6"
1800SJ250-97	30'-6"	27'-8"	26'-0"	24'-2"	27'-8"	25'-2"	23'-8"	21'-11"
1800SJ250-118	32'-4"	29'-5"	27'-8"	25'-8"	29'-5"	26'-8"	25'-1"	23'-4"
1800SJ300-97	31'-5"	28'-7"	26'-11"	25'-0"	28'-7"	26'-0"	24'-5"	22'-8"
1800SJ300-118	33'-5"	30'-4"	28'-7"	26'-6"	30'-4"	27'-7"	25'-11"	24'-1"
1800SJ350-97	32'-11"	29'-11"	28'-2"	26'-2"	29'-11"	27'-2"	25'-7"	23'-9"
1800SJ350-118	35'-0"	31'-10"	29'-11"	27'-9"	31'-10"	28'-11"	27'-2"	25'-3"

18" Members SECTION	40 PSF Dead Load plus 125 PSF Live Load							
	Live Load Deflection = L/360				Live Load Deflection = L/480			
	Spacing (in) o.c.				Spacing (in) o.c.			
	12	16	19.2	24	12	16	19.2	24
1800SJ162-97	28'-4"	25'-8"	24'-2"	22'-5"	28'-4"	25'-8"	24'-2"	22'-5"
1800SJ162-118	30'-0"	27'-3"	25'-8"	23'-9"	30'-0"	27'-3"	25'-8"	23'-9"
1800SJ200-97	29'-5"	26'-9"	25'-2"	23'-4"	29'-5"	26'-9"	25'-2"	23'-4"
1800SJ200-118	31'-2"	28'-4"	26'-8"	24'-9"	31'-2"	28'-4"	26'-8"	24'-9"
1800SJ250-97	30'-6"	27'-8"	26'-0"	24'-2"	30'-6"	27'-8"	26'-0"	24'-2"
1800SJ250-118	32'-4"	29'-5"	27'-8"	25'-8"	32'-4"	29'-5"	27'-8"	25'-8"
1800SJ300-97	31'-5"	28'-7"	26'-11"	25'-0"	31'-5"	28'-7"	26'-11"	25'-0"
1800SJ300-118	33'-5"	30'-4"	28'-7"	26'-6"	33'-5"	30'-4"	28'-7"	26'-6"
1800SJ350-97	32'-11"	29'-11"	28'-2"	26'-2"	32'-11"	29'-11"	28'-2"	26'-2"
1800SJ350-118	35'-0"	31'-10"	29'-11"	27'-9"	35'-0"	31'-10"	29'-11"	27'-9"



MAXIMUM FLOOR JOIST SPANS (FT – IN)

8" Members	15 PSF Dead Load plus 40 PSF Live Load								8" Members	40 PSF Dead Load plus 40 PSF Live Load							
	Live Load Deflection = L/360				Live Load Deflection = L/480					Live Load Deflection = L/360				Live Load Deflection = L/480			
	Spacing (in) o.c.				Spacing (in) o.c.					Spacing (in) o.c.				Spacing (in) o.c.			
SECTION	12	16	19.2	24	12	16	19.2	24	SECTION	12	16	19.2	24	12	16	19.2	24
800SMX200-43	18'-7"	16'-11"	15'-11"	14'-9"	16'-11"	15'-4"	14'-5"	13'-5"	800SMX200-43	16'-11"	15'-4"	14'-5"	13'-5"	16'-11"	15'-4"	14'-5"	13'-5"
800SMX200-54	20'-0"	18'-2"	17'-1"	15'-10"	18'-2"	16'-6"	15'-6"	14'-5"	800SMX200-54	18'-2"	16'-6"	15'-6"	14'-5"	18'-2"	16'-6"	15'-6"	14'-5"
800SMX200-68	21'-6"	19'-6"	18'-4"	17'-0"	19'-6"	17'-9"	16'-8"	15'-6"	800SMX200-68	19'-6"	17'-9"	16'-8"	15'-6"	19'-6"	17'-9"	16'-8"	15'-6"
800SMX200-97	23'-10"	21'-8"	20'-5"	18'-11"	21'-8"	19'-8"	18'-6"	17'-2"	800SMX200-97	21'-8"	19'-8"	18'-6"	17'-2"	21'-8"	19'-8"	18'-6"	17'-2"
800SMX200-118	25'-3"	22'-11"	21'-7"	20'-0"	22'-11"	20'-10"	19'-7"	18'-2"	800SMX200-118	22'-11"	20'-10"	19'-7"	18'-2"	22'-11"	20'-10"	19'-7"	18'-2"
800SMX250-33	17'-6"	16'-2"	15'-2"	14'-1"	16'-2"	14'-8"	13'-9"	12'-9"	800SMX250-33	16'-2"	14'-8"	13'-9"	12'-9"	16'-2"	14'-8"	13'-9"	12'-9"
800SMX250-43	19'-4"	17'-7"	16'-6"	15'-4"	17'-7"	16'-0"	15'-0"	13'-11"	800SMX250-43	17'-7"	16'-0"	15'-0"	13'-11"	17'-7"	16'-0"	15'-0"	13'-11"
800SMX250-54	20'-9"	18'-11"	17'-9"	16'-6"	18'-11"	17'-2"	16'-2"	15'-0"	800SMX250-54	18'-11"	17'-2"	16'-2"	15'-0"	18'-11"	17'-2"	16'-2"	15'-0"
800SMX250-68	22'-10"	20'-9"	19'-6"	18'-1"	20'-9"	18'-10"	17'-9"	16'-6"	800SMX250-68	20'-9"	18'-10"	17'-9"	16'-6"	20'-9"	18'-10"	17'-9"	16'-6"
800SMX250-97	24'-10"	22'-7"	21'-3"	19'-8"	22'-7"	20'-6"	19'-3"	17'-11"	800SMX250-97	22'-7"	20'-6"	19'-3"	17'-11"	22'-7"	20'-6"	19'-3"	17'-11"
800SMX250-118	26'-4"	23'-11"	22'-6"	20'-10"	23'-11"	21'-9"	20'-5"	19'-0"	800SMX250-118	23'-11"	21'-9"	20'-5"	19'-0"	23'-11"	21'-9"	20'-5"	19'-0"
800SMX300-33	18'-4"	16'-8"	15'-8"	14'-7"	16'-8"	15'-2"	14'-3"	13'-3"	800SMX300-33	16'-8"	15'-2"	14'-3"	13'-3"	16'-8"	15'-2"	14'-3"	13'-3"
800SMX300-43	20'-0"	18'-2"	17'-1"	15'-11"	18'-2"	16'-6"	15'-6"	14'-5"	800SMX300-43	18'-2"	16'-6"	15'-6"	14'-5"	18'-2"	16'-6"	15'-6"	14'-5"
800SMX300-54	21'-6"	19'-7"	18'-5"	17'-1"	19'-7"	17'-9"	16'-8"	15'-6"	800SMX300-54	19'-7"	17'-9"	16'-8"	15'-6"	19'-7"	17'-9"	16'-8"	15'-6"
800SMX300-68	23'-5"	21'-3"	20'-0"	18'-7"	21'-3"	19'-4"	18'-2"	16'-10"	800SMX300-68	21'-3"	19'-4"	18'-2"	16'-10"	21'-3"	19'-4"	18'-2"	16'-10"
800SMX300-97	25'-6"	23'-2"	21'-10"	20'-3"	23'-2"	21'-1"	19'-10"	18'-5"	800SMX300-97	23'-2"	21'-1"	19'-10"	18'-5"	23'-2"	21'-1"	19'-10"	18'-5"
800SMX300-118	27'-3"	24'-9"	23'-4"	21'-8"	24'-9"	22'-6"	21'-2"	19'-8"	800SMX300-118	24'-9"	22'-6"	21'-2"	19'-8"	24'-9"	22'-6"	21'-2"	19'-8"
800SMX350-33	18'-11"	17'-2"	16'-2"	15'-0"	17'-2"	15'-8"	14'-8"	13'-8"	800SMX350-33	17'-2"	15'-8"	14'-8"	13'-8"	17'-2"	15'-8"	14'-8"	13'-8"
800SMX350-43	20'-8"	18'-9"	17'-8"	16'-5"	18'-9"	17'-0"	16'-0"	14'-10"	800SMX350-43	18'-9"	17'-0"	16'-0"	14'-10"	18'-9"	17'-0"	16'-0"	14'-10"
800SMX350-54	22'-2"	20'-2"	19'-0"	17'-7"	20'-2"	18'-4"	17'-3"	16'-0"	800SMX350-54	20'-2"	18'-4"	17'-3"	16'-0"	20'-2"	18'-4"	17'-3"	16'-0"
800SMX350-68	23'-10"	21'-8"	20'-5"	18'-11"	21'-8"	19'-8"	18'-6"	17'-2"	800SMX350-68	21'-8"	19'-8"	18'-6"	17'-2"	21'-8"	19'-8"	18'-6"	17'-2"
800SMX350-97	26'-7"	24'-2"	22'-9"	21'-1"	24'-2"	21'-11"	20'-8"	19'-2"	800SMX350-97	24'-2"	21'-11"	20'-8"	19'-2"	24'-2"	21'-11"	20'-8"	19'-2"
800SMX350-118	28'-2"	25'-7"	24'-1"	22'-4"	25'-7"	23'-3"	21'-11"	20'-4"	800SMX350-118	25'-7"	23'-3"	21'-11"	20'-4"	25'-7"	23'-3"	21'-11"	20'-4"



MAXIMUM FLOOR JOIST SPANS (FT – IN)

8" Members	15 PSF Dead Load plus 60 PSF Live Load								8" Members	40 PSF Dead Load plus 60 PSF Live Load							
	Live Load Deflection = L/360				Live Load Deflection = L/480					Live Load Deflection = L/360				Live Load Deflection = L/480			
	Spacing (in) o.c.				Spacing (in) o.c.					Spacing (in) o.c.				Spacing (in) o.c.			
SECTION	12	16	19.2	24	12	16	19.2	24	SECTION	12	16	19.2	24	12	16	19.2	24
800SMX200-43	16'-3"	14'-9"	13'-11"	12'-11"	14'-9"	13'-5"	12'-7"	11'-9"	800SMX200-43	15'-8"	14'-3"	13'-5"	12'-5"	14'-9"	13'-5"	12'-7"	11'-9"
800SMX200-54	17'-6"	15'-10"	14'-11"	13'-10"	15'-10"	14'-5"	13'-7"	12'-7"	800SMX200-54	16'-10"	15'-4"	14'-5"	13'-5"	15'-10"	14'-5"	13'-7"	12'-7"
800SMX200-68	18'-9"	17'-0"	16'-0"	14'-11"	17'-0"	15'-6"	14'-7"	13'-6"	800SMX200-68	18'-1"	16'-5"	15'-6"	14'-4"	17'-0"	15'-6"	14'-7"	13'-6"
800SMX200-97	20'-10"	18'-11"	17'-10"	16'-6"	18'-11"	17'-2"	16'-2"	15'-0"	800SMX200-97	20'-2"	18'-3"	17'-2"	16'-0"	18'-11"	17'-2"	16'-2"	15'-0"
800SMX200-118	22'-1"	20'-0"	18'-10"	17'-6"	20'-0"	18'-2"	17'-2"	15'-11"	800SMX200-118	21'-4"	19'-4"	18'-2"	16'-11"	20'-0"	18'-2"	17'-2"	15'-11"
800SMX250-33	15'-6"	14'-1"	13'-3"	12'-4"	14'-1"	12'-9"	12'-0"	11'-2"	800SMX250-33	15'-0"	13'-7"	12'-9"	11'-10"	14'-1"	12'-9"	12'-0"	11'-2"
800SMX250-43	16'-11"	15'-4"	14'-5"	13'-5"	15'-4"	13'-11"	13'-1"	12'-2"	800SMX250-43	16'-4"	14'-10"	13'-11"	12'-11"	15'-4"	13'-11"	13'-1"	12'-2"
800SMX250-54	18'-2"	16'-6"	15'-6"	14'-5"	16'-6"	15'-0"	14'-1"	13'-1"	800SMX250-54	17'-6"	15'-11"	15'-0"	13'-11"	16'-6"	15'-0"	14'-1"	13'-1"
800SMX250-68	19'-11"	18'-1"	17'-1"	15'-10"	18'-1"	16'-6"	15'-6"	14'-4"	800SMX250-68	19'-3"	17'-6"	16'-6"	15'-3"	18'-1"	16'-6"	15'-6"	14'-4"
800SMX250-97	21'-8"	19'-8"	18'-7"	17'-3"	19'-8"	17'-11"	16'-10"	15'-8"	800SMX250-97	20'-11"	19'-0"	17'-11"	16'-7"	19'-8"	17'-11"	16'-10"	15'-8"
800SMX250-118	23'-0"	20'-10"	19'-8"	18'-3"	20'-10"	19'-0"	17'-10"	16'-7"	800SMX250-118	22'-2"	20'-2"	19'-0"	17'-7"	20'-10"	19'-0"	17'-10"	16'-7"
800SMX300-33	16'-0"	14'-7"	13'-8"	12'-9"	14'-7"	13'-3"	12'-5"	11'-7"	800SMX300-33	15'-6"	14'-1"	13'-3"	12'-3"	14'-7"	13'-3"	12'-5"	11'-7"
800SMX300-43	17'-6"	15'-11"	14'-11"	13'-10"	15'-11"	14'-5"	13'-7"	12'-7"	800SMX300-43	16'-10"	15'-4"	14'-5"	13'-5"	15'-11"	14'-5"	13'-7"	12'-7"
800SMX300-54	18'-10"	17'-1"	16'-1"	14'-11"	17'-1"	15'-6"	14'-7"	13'-6"	800SMX300-54	18'-2"	16'-6"	15'-6"	14'-5"	17'-1"	15'-6"	14'-7"	13'-6"
800SMX300-68	20'-5"	18'-7"	17'-5"	16'-2"	18'-7"	16'-10"	15'-10"	14'-9"	800SMX300-68	19'-9"	17'-11"	16'-10"	15'-8"	18'-7"	16'-10"	15'-10"	14'-9"
800SMX300-97	22'-3"	20'-3"	19'-0"	17'-8"	20'-3"	18'-5"	17'-4"	16'-1"	800SMX300-97	21'-6"	19'-6"	18'-5"	17'-1"	20'-3"	18'-5"	17'-4"	16'-1"
800SMX300-118	23'-10"	21'-8"	20'-4"	18'-11"	21'-8"	19'-8"	18'-6"	17'-2"	800SMX300-118	23'-0"	20'-11"	19'-8"	18'-3"	21'-8"	19'-8"	18'-6"	17'-2"
800SMX350-33	16'-6"	15'-0"	14'-2"	13'-1"	15'-0"	13'-8"	12'-10"	11'-11"	800SMX350-33	16'-0"	14'-6"	13'-8"	12'-8"	15'-0"	13'-8"	12'-10"	11'-11"
800SMX350-43	18'-0"	16'-5"	15'-5"	14'-4"	16'-5"	14'-10"	14'-0"	13'-0"	800SMX350-43	17'-5"	15'-10"	14'-10"	13'-10"	16'-5"	14'-10"	14'-0"	13'-0"
800SMX350-54	19'-5"	17'-7"	16'-7"	15'-5"	17'-7"	16'-0"	15'-1"	14'-0"	800SMX350-54	18'-9"	17'-0"	16'-0"	14'-10"	17'-7"	16'-0"	15'-1"	14'-0"
800SMX350-68	20'-10"	18'-11"	17'-10"	16'-6"	18'-11"	17'-2"	16'-2"	15'-0"	800SMX350-68	20'-1"	18'-3"	17'-2"	15'-11"	18'-11"	17'-2"	16'-2"	15'-0"
800SMX350-97	23'-3"	21'-1"	19'-10"	18'-5"	21'-1"	19'-2"	18'-0"	16'-9"	800SMX350-97	22'-5"	20'-4"	19'-2"	17'-9"	21'-1"	19'-2"	18'-0"	16'-9"
800SMX350-118	24'-8"	22'-4"	21'-1"	19'-6"	22'-4"	20'-4"	19'-1"	17'-9"	800SMX350-118	23'-9"	21'-7"	20'-4"	18'-10"	22'-4"	20'-4"	19'-1"	17'-9"



MAXIMUM FLOOR JOIST SPANS (FT – IN)

8" Members SECTION	15 PSF Dead Load plus 125 PSF Live Load								8" Members SECTION	40 PSF Dead Load plus 125 PSF Live Load							
	Live Load Deflection = L/360 Spacing (in) o.c.				Live Load Deflection = L/480 Spacing (in) o.c.					Live Load Deflection = L/360 Spacing (in) o.c.				Live Load Deflection = L/480 Spacing (in) o.c.			
	12	16	19.2	24	12	16	19.2	24		12	16	19.2	24	12	16	19.2	24
800SMX200-43	12'-9"	11'-7"	10'-10"	10'-1"	11'-7"	10'-6"	9'-11"	9'-2"	800SMX200-43	12'-9"	11'-7"	10'-10"	10'-1"	12'-9"	11'-7"	10'-10"	10'-1"
800SMX200-54	13'-8"	12'-5"	11'-8"	10'-10"	12'-5"	11'-3"	10'-7"	9'-10"	800SMX200-54	13'-8"	12'-5"	11'-8"	10'-10"	13'-8"	12'-5"	11'-8"	10'-10"
800SMX200-68	14'-8"	13'-4"	12'-7"	11'-8"	13'-4"	12'-1"	11'-5"	10'-7"	800SMX200-68	14'-8"	13'-4"	12'-7"	11'-8"	14'-8"	13'-4"	12'-7"	11'-8"
800SMX200-97	16'-4"	14'-10"	13'-11"	12'-11"	14'-10"	13'-6"	12'-8"	11'-9"	800SMX200-97	16'-4"	14'-10"	13'-11"	12'-11"	16'-4"	14'-10"	13'-11"	12'-11"
800SMX200-118	17'-3"	15'-8"	14'-9"	13'-8"	15'-8"	14'-3"	13'-5"	12'-5"	800SMX200-118	17'-3"	15'-8"	14'-9"	13'-8"	17'-3"	15'-8"	14'-9"	13'-8"
800SMX250-33	12'-2"	11'-0"	10'-4"	9'-7"	11'-0"	10'-0"	9'-5"	8'-9"	800SMX250-33	12'-2"	11'-0"	10'-4"	9'-7"	12'-2"	11'-0"	10'-4"	9'-7"
800SMX250-43	13'-3"	12'-0"	11'-4"	10'-6"	12'-0"	10'-11"	10'-3"	9'-6"	800SMX250-43	13'-3"	12'-0"	11'-4"	10'-6"	13'-3"	12'-0"	11'-4"	10'-6"
800SMX250-54	14'-2"	12'-11"	12'-2"	11'-3"	12'-11"	11'-9"	11'-0"	10'-3"	800SMX250-54	14'-2"	12'-11"	12'-2"	11'-3"	14'-2"	12'-11"	12'-2"	11'-3"
800SMX250-68	15'-7"	14'-2"	13'-4"	12'-5"	14'-2"	12'-11"	12'-1"	11'-3"	800SMX250-68	15'-7"	14'-2"	13'-4"	12'-5"	15'-7"	14'-2"	13'-4"	12'-5"
800SMX250-97	17'-0"	15'-5"	14'-6"	13'-6"	15'-5"	14'-0"	13'-2"	12'-3"	800SMX250-97	17'-0"	15'-5"	14'-6"	13'-6"	17'-0"	15'-5"	14'-6"	13'-6"
800SMX250-118	18'-0"	16'-4"	15'-4"	14'-3"	16'-4"	14'-10"	14'-0"	12'-11"	800SMX250-118	18'-0"	16'-4"	15'-4"	14'-3"	18'-0"	16'-4"	15'-4"	14'-3"
800SMX300-33	12'-7"	11'-5"	10'-9"	9'-11"	11'-5"	10'-4"	9'-9"	9'-0"	800SMX300-33	12'-7"	11'-5"	10'-9"	9'-11"	12'-7"	11'-5"	10'-9"	9'-11"
800SMX300-43	13'-8"	12'-5"	11'-8"	10'-10"	12'-5"	11'-3"	10'-7"	9'-10"	800SMX300-43	13'-8"	12'-5"	11'-8"	10'-10"	13'-8"	12'-5"	11'-8"	10'-10"
800SMX300-54	14'-8"	13'-4"	12'-7"	11'-8"	13'-4"	12'-2"	11'-5"	10'-7"	800SMX300-54	14'-8"	13'-4"	12'-7"	11'-8"	14'-8"	13'-4"	12'-7"	11'-8"
800SMX300-68	16'-0"	14'-6"	13'-8"	12'-8"	14'-6"	13'-2"	12'-5"	11'-6"	800SMX300-68	16'-0"	14'-6"	13'-8"	12'-8"	16'-0"	14'-6"	13'-8"	12'-8"
800SMX300-97	17'-5"	15'-10"	14'-11"	13'-10"	15'-10"	14'-5"	13'-6"	12'-7"	800SMX300-97	17'-5"	15'-10"	14'-11"	13'-10"	17'-5"	15'-10"	14'-11"	13'-10"
800SMX300-118	18'-8"	16'-11"	15'-11"	14'-10"	16'-11"	15'-5"	14'-6"	13'-5"	800SMX300-118	18'-8"	16'-11"	15'-11"	14'-10"	18'-8"	16'-11"	15'-11"	14'-10"
800SMX350-33	12'-11"	11'-9"	11'-1"	10'-3"	11'-9"	10'-8"	10'-1"	9'-4"	800SMX350-33	12'-11"	11'-9"	11'-1"	10'-3"	12'-11"	11'-9"	11'-1"	10'-3"
800SMX350-43	14'-1"	12'-10"	12'-1"	11'-2"	12'-10"	11'-8"	10'-11"	10'-2"	800SMX350-43	14'-1"	12'-10"	12'-1"	11'-2"	14'-1"	12'-10"	12'-1"	11'-2"
800SMX350-54	15'-2"	13'-9"	13'-0"	12'-0"	13'-9"	12'-6"	11'-9"	10'-11"	800SMX350-54	15'-2"	13'-9"	13'-0"	12'-0"	15'-2"	13'-9"	13'-0"	12'-0"
800SMX350-68	16'-4"	14'-10"	13'-11"	12'-11"	14'-10"	13'-5"	12'-8"	11'-9"	800SMX350-68	16'-4"	14'-10"	13'-11"	12'-11"	16'-4"	14'-10"	13'-11"	12'-11"
800SMX350-97	18'-2"	16'-6"	15'-6"	14'-5"	16'-6"	15'-0"	14'-1"	13'-1"	800SMX350-97	18'-2"	16'-6"	15'-6"	14'-5"	18'-2"	16'-6"	15'-6"	14'-5"
800SMX350-118	19'-3"	17'-6"	16'-6"	15'-3"	17'-6"	15'-11"	15'-0"	13'-11"	800SMX350-118	19'-3"	17'-6"	16'-6"	15'-3"	19'-3"	17'-6"	16'-6"	15'-3"

For more Information, visit our website at www.BuySuperStud.com or contact our team at 732-662-6200

This information reflects the most current information available and supersedes all previous publications. Revised March 2020.

© Super Stud Building Products, Inc.



MAXIMUM FLOOR JOIST SPANS (FT – IN)

10" Members	15 PSF Dead Load plus 40 PSF Live Load							
	Live Load Deflection = L/360				Live Load Deflection = L/480			
	Spacing (in) o.c.				Spacing (in) o.c.			
SECTION	12	16	19.2	24	12	16	19.2	24
1000SMX200-43	22'-2"	20'-4"	19'-2"	17'-9"	20'-4"	18'-6"	17'-5"	16'-2"
1000SMX200-54	24'-1"	21'-10"	20'-7"	19'-1"	21'-10"	19'-10"	18'-8"	17'-4"
1000SMX200-68	25'-10"	23'-6"	22'-1"	20'-6"	23'-6"	21'-4"	20'-1"	18'-7"
1000SMX200-97	28'-9"	26'-1"	24'-7"	22'-10"	26'-1"	23'-9"	22'-4"	20'-9"
1000SMX200-118	30'-5"	27'-8"	26'-0"	24'-2"	27'-8"	25'-2"	23'-8"	21'-11"
1000SMX250-43	23'-2"	21'-1"	19'-10"	18'-5"	21'-1"	19'-1"	18'-0"	16'-8"
1000SMX250-54	24'-11"	22'-8"	21'-4"	19'-9"	22'-8"	20'-7"	19'-4"	17'-11"
1000SMX250-68	26'-9"	24'-4"	22'-11"	21'-3"	24'-4"	22'-1"	20'-9"	19'-3"
1000SMX250-97	29'-10"	27'-1"	25'-6"	23'-8"	27'-1"	24'-7"	23'-2"	21'-6"
1000SMX250-118	31'-7"	28'-8"	27'-0"	25'-1"	28'-8"	26'-1"	24'-6"	22'-9"
1000SMX300-43	23'-11"	21'-9"	20'-5"	19'-0"	21'-9"	19'-9"	18'-7"	17'-3"
1000SMX300-54	25'-9"	23'-5"	22'-0"	20'-5"	23'-5"	21'-3"	20'-0"	18'-7"
1000SMX300-68	27'-8"	25'-1"	23'-7"	21'-11"	25'-1"	22'-10"	21'-5"	19'-11"
1000SMX300-97	30'-10"	28'-0"	26'-4"	24'-5"	28'-0"	25'-5"	23'-11"	22'-2"
1000SMX300-118	32'-8"	29'-8"	27'-11"	25'-11"	29'-8"	26'-11"	25'-4"	23'-7"
1000SMX350-43	24'-7"	22'-4"	21'-0"	19'-6"	22'-4"	20'-4"	19'-1"	17'-9"
1000SMX350-54	26'-5"	24'-0"	22'-7"	21'-0"	24'-0"	21'-10"	20'-6"	19'-1"
1000SMX350-68	28'-5"	25'-10"	24'-4"	22'-7"	25'-10"	23'-6"	22'-1"	20'-6"
1000SMX350-97	31'-9"	28'-10"	27'-1"	25'-2"	28'-10"	26'-2"	24'-8"	22'-10"
1000SMX350-118	33'-8"	30'-7"	28'-9"	26'-9"	30'-7"	27'-9"	26'-2"	24'-3"

10" Members	40 PSF Dead Load plus 40 PSF Live Load							
	Live Load Deflection = L/360				Live Load Deflection = L/480			
	Spacing (in) o.c.				Spacing (in) o.c.			
SECTION	12	16	19.2	24	12	16	19.2	24
1000SMX200-43	20'-4"	18'-6"	17'-5"	16'-2"	20'-4"	18'-6"	17'-5"	16'-2"
1000SMX200-54	21'-10"	19'-10"	18'-8"	17'-4"	21'-10"	19'-10"	18'-8"	17'-4"
1000SMX200-68	23'-6"	21'-4"	20'-1"	18'-7"	23'-6"	21'-4"	20'-1"	18'-7"
1000SMX200-97	26'-1"	23'-9"	22'-4"	20'-9"	26'-1"	23'-9"	22'-4"	20'-9"
1000SMX200-118	27'-8"	25'-2"	23'-8"	21'-11"	27'-8"	25'-2"	23'-8"	21'-11"
1000SMX250-43	21'-1"	19'-1"	18'-0"	16'-8"	21'-1"	19'-1"	18'-0"	16'-8"
1000SMX250-54	22'-8"	20'-7"	19'-4"	17'-11"	22'-8"	20'-7"	19'-4"	17'-11"
1000SMX250-68	24'-4"	22'-1"	20'-9"	19'-3"	24'-4"	22'-1"	20'-9"	19'-3"
1000SMX250-97	27'-1"	24'-7"	23'-2"	21'-6"	27'-1"	24'-7"	23'-2"	21'-6"
1000SMX250-118	28'-8"	26'-1"	24'-6"	22'-9"	28'-8"	26'-1"	24'-6"	22'-9"
1000SMX300-43	21'-9"	19'-9"	18'-7"	17'-3"	21'-9"	19'-9"	18'-7"	17'-3"
1000SMX300-54	23'-5"	21'-3"	20'-0"	18'-7"	23'-5"	21'-3"	20'-0"	18'-7"
1000SMX300-68	25'-1"	22'-10"	21'-5"	19'-11"	25'-1"	22'-10"	21'-5"	19'-11"
1000SMX300-97	28'-0"	25'-5"	23'-11"	22'-2"	28'-0"	25'-5"	23'-11"	22'-2"
1000SMX300-118	29'-8"	26'-11"	25'-4"	23'-7"	29'-8"	26'-11"	25'-4"	23'-7"
1000SMX350-43	22'-4"	20'-4"	19'-1"	17'-9"	22'-4"	20'-4"	19'-1"	17'-9"
1000SMX350-54	24'-0"	21'-10"	20'-6"	19'-1"	24'-0"	21'-10"	20'-6"	19'-1"
1000SMX350-68	25'-10"	23'-6"	22'-1"	20'-6"	25'-10"	23'-6"	22'-1"	20'-6"
1000SMX350-97	28'-10"	26'-2"	24'-8"	22'-10"	28'-10"	26'-2"	24'-8"	22'-10"
1000SMX350-118	30'-7"	27'-9"	26'-2"	24'-3"	30'-7"	27'-9"	26'-2"	24'-3"

For more Information, visit our website at www.BuySuperStud.com or contact our team at 732-662-6200

This information reflects the most current information available and supersedes all previous publications. Revised March 2020.

© Super Stud Building Products, Inc.



MAXIMUM FLOOR JOIST SPANS (FT – IN)

10" Members	15 PSF Dead Load plus 60 PSF Live Load							
	Live Load Deflection = L/360				Live Load Deflection = L/480			
	Spacing (in) o.c.				Spacing (in) o.c.			
SECTION	12	16	19.2	24	12	16	19.2	24
1000SMX200-43	19'-7"	17'-9"	16'-9"	15'-6"	17'-9"	16'-2"	15'-2"	14'-1"
1000SMX200-54	21'-0"	19'-1"	18'-0"	16'-8"	19'-1"	17'-4"	16'-4"	15'-2"
1000SMX200-68	22'-7"	20'-6"	19'-3"	17'-11"	20'-6"	18'-7"	17'-6"	16'-3"
1000SMX200-97	25'-1"	22'-10"	21'-6"	19'-11"	22'-10"	20'-9"	19'-6"	18'-1"
1000SMX200-118	26'-7"	24'-2"	22'-9"	21'-1"	24'-2"	21'-11"	20'-8"	19'-2"
1000SMX250-43	20'-3"	18'-5"	17'-4"	16'-1"	18'-5"	16'-8"	15'-9"	14'-7"
1000SMX250-54	21'-9"	19'-9"	18'-7"	17'-3"	19'-9"	17'-11"	16'-11"	15'-8"
1000SMX250-68	23'-5"	21'-3"	20'-0"	18'-7"	21'-3"	19'-3"	18'-2"	16'-10"
1000SMX250-97	26'-0"	23'-8"	22'-3"	20'-8"	23'-8"	21'-6"	20'-3"	18'-9"
1000SMX250-118	27'-7"	25'-1"	23'-7"	21'-11"	25'-1"	22'-9"	21'-5"	19'-11"
1000SMX300-43	20'-10"	19'-0"	17'-10"	16'-7"	19'-0"	17'-3"	16'-2"	15'-0"
1000SMX300-54	22'-6"	20'-5"	19'-3"	17'-10"	20'-5"	18'-7"	17'-5"	16'-2"
1000SMX300-68	24'-2"	21'-11"	20'-8"	19'-2"	21'-11"	19'-11"	18'-9"	17'-5"
1000SMX300-97	26'-11"	24'-5"	23'-0"	21'-4"	24'-5"	22'-2"	20'-11"	19'-5"
1000SMX300-118	28'-6"	25'-11"	24'-5"	22'-8"	25'-11"	23'-7"	22'-2"	20'-7"
1000SMX350-43	21'-6"	19'-6"	18'-4"	17'-0"	19'-6"	17'-9"	16'-8"	15'-6"
1000SMX350-54	23'-1"	21'-0"	19'-9"	18'-4"	21'-0"	19'-1"	17'-11"	16'-8"
1000SMX350-68	24'-10"	22'-7"	21'-3"	19'-8"	22'-7"	20'-6"	19'-3"	17'-11"
1000SMX350-97	27'-8"	25'-2"	23'-8"	22'-0"	25'-2"	22'-10"	21'-6"	20'-0"
1000SMX350-118	29'-5"	26'-9"	25'-2"	23'-4"	26'-9"	24'-3"	22'-10"	21'-2"

10" Members	40 PSF Dead Load plus 60 PSF Live Load							
	Live Load Deflection = L/360				Live Load Deflection = L/480			
	Spacing (in) o.c.				Spacing (in) o.c.			
SECTION	12	16	19.2	24	12	16	19.2	24
1000SMX200-43	18'-10"	17'-2"	16'-2"	15'-0"	17'-9"	16'-2"	15'-2"	14'-1"
1000SMX200-54	20'-3"	18'-5"	17'-4"	16'-1"	19'-1"	17'-4"	16'-4"	15'-2"
1000SMX200-68	21'-9"	19'-9"	18'-7"	17'-3"	20'-6"	18'-7"	17'-6"	16'-3"
1000SMX200-97	24'-3"	22'-0"	20'-9"	19'-3"	22'-10"	20'-9"	19'-6"	18'-1"
1000SMX200-118	25'-8"	23'-4"	21'-11"	20'-4"	24'-2"	21'-11"	20'-8"	19'-2"
1000SMX250-43	19'-6"	17'-9"	16'-8"	15'-6"	18'-5"	16'-8"	15'-9"	14'-7"
1000SMX250-54	21'-0"	19'-1"	17'-11"	16'-8"	19'-9"	17'-11"	16'-11"	15'-8"
1000SMX250-68	22'-7"	20'-6"	19'-3"	17'-11"	21'-3"	19'-3"	18'-2"	16'-10"
1000SMX250-97	25'-2"	22'-10"	21'-6"	19'-11"	23'-8"	21'-6"	20'-3"	18'-9"
1000SMX250-118	26'-8"	24'-2"	22'-9"	21'-2"	25'-1"	22'-9"	21'-5"	19'-11"
1000SMX300-43	20'-2"	18'-4"	17'-3"	16'-0"	19'-0"	17'-3"	16'-2"	15'-0"
1000SMX300-54	21'-8"	19'-9"	18'-7"	17'-3"	20'-5"	18'-7"	17'-5"	16'-2"
1000SMX300-68	23'-4"	21'-2"	19'-11"	18'-6"	21'-11"	19'-11"	18'-9"	17'-5"
1000SMX300-97	26'-0"	23'-7"	22'-2"	20'-7"	24'-5"	22'-2"	20'-11"	19'-5"
1000SMX300-118	27'-7"	25'-0"	23'-7"	21'-10"	25'-11"	23'-7"	22'-2"	20'-7"
1000SMX350-43	20'-9"	18'-10"	17'-9"	16'-5"	19'-6"	17'-9"	16'-8"	15'-6"
1000SMX350-54	22'-4"	20'-3"	19'-1"	17'-8"	21'-0"	19'-1"	17'-11"	16'-8"
1000SMX350-68	24'-0"	21'-9"	20'-6"	19'-0"	22'-7"	20'-6"	19'-3"	17'-11"
1000SMX350-97	26'-9"	24'-4"	22'-10"	21'-3"	25'-2"	22'-10"	21'-6"	20'-0"
1000SMX350-118	28'-5"	25'-9"	24'-3"	22'-6"	26'-9"	24'-3"	22'-10"	21'-2"



MAXIMUM FLOOR JOIST SPANS (FT – IN)

10" Members	15 PSF Dead Load plus 125 PSF Live Load							
	Live Load Deflection = L/360				Live Load Deflection = L/480			
	Spacing (in) o.c.				Spacing (in) o.c.			
SECTION	12	16	19.2	24	12	16	19.2	24
1000SMX200-43	15'-4"	13'-11"	13'-1"	12'-2"	13'-11"	12'-7"	11'-10"	11'-0"
1000SMX200-54	16'-5"	14'-11"	14'-1"	13'-1"	14'-11"	13'-7"	12'-9"	11'-10"
1000SMX200-68	17'-8"	16'-0"	15'-1"	14'-0"	16'-0"	14'-7"	13'-9"	12'-9"
1000SMX200-97	19'-8"	17'-10"	16'-10"	15'-7"	17'-10"	16'-3"	15'-3"	14'-2"
1000SMX200-118	20'-10"	18'-11"	17'-9"	16'-6"	18'-11"	17'-2"	16'-2"	15'-0"
1000SMX250-43	15'-10"	14'-5"	13'-6"	12'-7"	14'-5"	13'-1"	12'-4"	11'-5"
1000SMX250-54	17'-0"	15'-6"	14'-7"	13'-6"	15'-6"	14'-1"	13'-3"	12'-3"
1000SMX250-68	18'-4"	16'-7"	15'-8"	14'-6"	16'-7"	15'-1"	14'-2"	13'-2"
1000SMX250-97	20'-4"	18'-6"	17'-5"	16'-2"	18'-6"	16'-10"	15'-10"	14'-8"
1000SMX250-118	21'-7"	19'-7"	18'-6"	17'-2"	19'-7"	17'-10"	16'-9"	15'-7"
1000SMX300-43	16'-4"	14'-10"	14'-0"	12'-11"	14'-10"	13'-6"	12'-8"	11'-9"
1000SMX300-54	17'-7"	16'-0"	15'-0"	13'-11"	16'-0"	14'-6"	13'-8"	12'-8"
1000SMX300-68	18'-11"	17'-2"	16'-2"	15'-0"	17'-2"	15'-7"	14'-8"	13'-7"
1000SMX300-97	21'-1"	19'-1"	18'-0"	16'-8"	19'-1"	17'-4"	16'-4"	15'-2"
1000SMX300-118	22'-4"	20'-3"	19'-1"	17'-9"	20'-3"	18'-5"	17'-4"	16'-1"
1000SMX350-43	16'-10"	15'-3"	14'-4"	13'-4"	15'-3"	13'-10"	13'-1"	12'-1"
1000SMX350-54	18'-1"	16'-5"	15'-5"	14'-4"	16'-5"	14'-11"	14'-0"	13'-0"
1000SMX350-68	19'-5"	17'-8"	16'-7"	15'-5"	17'-8"	16'-0"	15'-1"	14'-0"
1000SMX350-97	21'-8"	19'-8"	18'-6"	17'-2"	19'-8"	17'-11"	16'-10"	15'-8"
1000SMX350-118	23'-0"	20'-11"	19'-8"	18'-3"	20'-11"	19'-0"	17'-10"	16'-7"

10" Members	40 PSF Dead Load plus 125 PSF Live Load							
	Live Load Deflection = L/360				Live Load Deflection = L/480			
	Spacing (in) o.c.				Spacing (in) o.c.			
SECTION	12	16	19.2	24	12	16	19.2	24
1000SMX200-43	15'-4"	13'-11"	13'-1"	12'-2"	15'-4"	13'-11"	13'-1"	12'-2"
1000SMX200-54	16'-5"	14'-11"	14'-1"	13'-1"	16'-5"	14'-11"	14'-1"	13'-1"
1000SMX200-68	17'-8"	16'-0"	15'-1"	14'-0"	17'-8"	16'-0"	15'-1"	14'-0"
1000SMX200-97	19'-8"	17'-10"	16'-10"	15'-7"	19'-8"	17'-10"	16'-10"	15'-7"
1000SMX200-118	20'-10"	18'-11"	17'-9"	16'-6"	20'-10"	18'-11"	17'-9"	16'-6"
1000SMX250-43	15'-10"	14'-5"	13'-6"	12'-7"	15'-10"	14'-5"	13'-6"	12'-7"
1000SMX250-54	17'-0"	15'-6"	14'-7"	13'-6"	17'-0"	15'-6"	14'-7"	13'-6"
1000SMX250-68	18'-4"	16'-7"	15'-8"	14'-6"	18'-4"	16'-7"	15'-8"	14'-6"
1000SMX250-97	20'-4"	18'-6"	17'-5"	16'-2"	20'-4"	18'-6"	17'-5"	16'-2"
1000SMX250-118	21'-7"	19'-7"	18'-6"	17'-2"	21'-7"	19'-7"	18'-6"	17'-2"
1000SMX300-43	16'-4"	14'-10"	14'-0"	12'-11"	16'-4"	14'-10"	14'-0"	12'-11"
1000SMX300-54	17'-7"	16'-0"	15'-0"	13'-11"	17'-7"	16'-0"	15'-0"	13'-11"
1000SMX300-68	18'-11"	17'-2"	16'-2"	15'-0"	18'-11"	17'-2"	16'-2"	15'-0"
1000SMX300-97	21'-1"	19'-1"	18'-0"	16'-8"	21'-1"	19'-1"	18'-0"	16'-8"
1000SMX300-118	22'-4"	20'-3"	19'-1"	17'-9"	22'-4"	20'-3"	19'-1"	17'-9"
1000SMX350-43	16'-10"	15'-3"	14'-4"	13'-4"	16'-10"	15'-3"	14'-4"	13'-4"
1000SMX350-54	18'-1"	16'-5"	15'-5"	14'-4"	18'-1"	16'-5"	15'-5"	14'-4"
1000SMX350-68	19'-5"	17'-8"	16'-7"	15'-5"	19'-5"	17'-8"	16'-7"	15'-5"
1000SMX350-97	21'-8"	19'-8"	18'-6"	17'-2"	21'-8"	19'-8"	18'-6"	17'-2"
1000SMX350-118	23'-0"	20'-11"	19'-8"	18'-3"	23'-0"	20'-11"	19'-8"	18'-3"



MAXIMUM FLOOR JOIST SPANS (FT – IN)

12" Members SECTION	15 PSF Dead Load plus 40 PSF Live Load							
	Live Load Deflection = L/360 Spacing (in) o.c.				Live Load Deflection = L/480 Spacing (in) o.c.			
	12	16	19.2	24	12	16	19.2	24
1200SMX200-54	27'-2"	24'-8"	23'-2"	21'-6"	24'-8"	22'-5"	21'-1"	19'-7"
1200SMX200-68	29'-0"	26'-4"	24'-10"	23'-0"	26'-4"	23'-11"	22'-6"	20'-11"
1200SMX200-97	32'-6"	29'-6"	27'-9"	25'-9"	29'-6"	26'-9"	25'-3"	23'-5"
1200SMX200-118	34'-4"	31'-2"	29'-4"	27'-3"	31'-2"	28'-4"	26'-8"	24'-9"
1200SMX250-54	28'-1"	25'-6"	24'-0"	22'-3"	25'-6"	23'-2"	21'-10"	20'-3"
1200SMX250-68	30'-1"	27'-4"	25'-9"	23'-10"	27'-4"	24'-10"	23'-4"	21'-8"
1200SMX250-97	33'-8"	30'-7"	28'-9"	26'-9"	30'-7"	27'-9"	26'-2"	24'-3"
1200SMX250-118	35'-7"	32'-4"	30'-5"	28'-3"	32'-4"	29'-5"	27'-8"	25'-8"
1200SMX300-54	29'-0"	26'-4"	24'-9"	23'-0"	26'-4"	23'-11"	22'-6"	20'-11"
1200SMX300-68	31'-1"	28'-3"	26'-7"	24'-8"	28'-3"	25'-8"	24'-1"	22'-5"
1200SMX300-97	34'-9"	31'-7"	29'-9"	27'-7"	31'-7"	28'-8"	27'-0"	25'-1"
1200SMX300-118	36'-10"	33'-6"	31'-6"	29'-3"	33'-6"	30'-5"	28'-7"	26'-7"
1200SMX350-54	29'-10"	27'-1"	25'-6"	23'-8"	27'-1"	24'-8"	23'-2"	21'-6"
1200SMX350-68	32'-0"	29'-1"	27'-4"	25'-5"	29'-1"	26'-5"	24'-10"	23'-1"
1200SMX350-97	35'-10"	32'-7"	30'-8"	28'-5"	32'-7"	29'-7"	27'-10"	25'-10"
1200SMX350-118	38'-0"	34'-6"	32'-6"	30'-2"	34'-6"	31'-4"	29'-6"	27'-4"

12" Members SECTION	40 PSF Dead Load plus 40 PSF Live Load							
	Live Load Deflection = L/360 Spacing (in) o.c.				Live Load Deflection = L/480 Spacing (in) o.c.			
	12	16	19.2	24	12	16	19.2	24
1200SMX200-54	24'-8"	22'-5"	21'-1"	19'-7"	24'-8"	22'-5"	21'-1"	19'-7"
1200SMX200-68	26'-4"	23'-11"	22'-6"	20'-11"	26'-4"	23'-11"	22'-6"	20'-11"
1200SMX200-97	29'-6"	26'-9"	25'-3"	23'-5"	29'-6"	26'-9"	25'-3"	23'-5"
1200SMX200-118	31'-2"	28'-4"	26'-8"	24'-9"	31'-2"	28'-4"	26'-8"	24'-9"
1200SMX250-54	25'-6"	23'-2"	21'-10"	20'-3"	25'-6"	23'-2"	21'-10"	20'-3"
1200SMX250-68	27'-4"	24'-10"	23'-4"	21'-8"	27'-4"	24'-10"	23'-4"	21'-8"
1200SMX250-97	30'-7"	27'-9"	26'-2"	24'-3"	30'-7"	27'-9"	26'-2"	24'-3"
1200SMX250-118	32'-4"	29'-5"	27'-8"	25'-8"	32'-4"	29'-5"	27'-8"	25'-8"
1200SMX300-54	26'-4"	23'-11"	22'-6"	20'-11"	26'-4"	23'-11"	22'-6"	20'-11"
1200SMX300-68	28'-3"	25'-8"	24'-1"	22'-5"	28'-3"	25'-8"	24'-1"	22'-5"
1200SMX300-97	31'-7"	28'-8"	27'-0"	25'-1"	31'-7"	28'-8"	27'-0"	25'-1"
1200SMX300-118	33'-6"	30'-5"	28'-7"	26'-7"	33'-6"	30'-5"	28'-7"	26'-7"
1200SMX350-54	27'-1"	24'-8"	23'-2"	21'-6"	27'-1"	24'-8"	23'-2"	21'-6"
1200SMX350-68	29'-1"	26'-5"	24'-10"	23'-1"	29'-1"	26'-5"	24'-10"	23'-1"
1200SMX350-97	32'-7"	29'-7"	27'-10"	25'-10"	32'-7"	29'-7"	27'-10"	25'-10"
1200SMX350-118	34'-6"	31'-4"	29'-6"	27'-4"	34'-6"	31'-4"	29'-6"	27'-4"



MAXIMUM FLOOR JOIST SPANS (FT – IN)

12" Members SECTION	15 PSF Dead Load plus 60 PSF Live Load							
	Live Load Deflection = L/360 Spacing (in) o.c.				Live Load Deflection = L/480 Spacing (in) o.c.			
	12	16	19.2	24	12	16	19.2	24
1200SMX200-54	23'-8"	21'-6"	20'-3"	18'-10"	21'-6"	19'-7"	18'-5"	17'-1"
1200SMX200-68	25'-4"	23'-0"	21'-8"	20'-1"	23'-0"	20'-11"	19'-8"	18'-3"
1200SMX200-97	28'-4"	25'-9"	24'-3"	22'-6"	25'-9"	23'-5"	22'-0"	20'-5"
1200SMX200-118	30'-0"	27'-3"	25'-7"	23'-9"	27'-3"	24'-9"	23'-3"	21'-7"
1200SMX250-54	24'-6"	22'-3"	21'-0"	19'-6"	22'-3"	20'-3"	19'-1"	17'-8"
1200SMX250-68	26'-3"	23'-10"	22'-5"	20'-10"	23'-10"	21'-8"	20'-5"	18'-11"
1200SMX250-97	29'-5"	26'-9"	25'-2"	23'-4"	26'-9"	24'-3"	22'-10"	21'-2"
1200SMX250-118	31'-1"	28'-3"	26'-7"	24'-8"	28'-3"	25'-8"	24'-2"	22'-5"
1200SMX300-54	25'-4"	23'-0"	21'-8"	20'-1"	23'-0"	20'-11"	19'-8"	18'-3"
1200SMX300-68	27'-2"	24'-8"	23'-2"	21'-6"	24'-8"	22'-5"	21'-1"	19'-7"
1200SMX300-97	30'-5"	27'-7"	26'-0"	24'-1"	27'-7"	25'-1"	23'-7"	21'-11"
1200SMX300-118	32'-2"	29'-3"	27'-6"	25'-6"	29'-3"	26'-7"	25'-0"	23'-2"
1200SMX350-54	26'-1"	23'-8"	22'-3"	20'-8"	23'-8"	21'-6"	20'-3"	18'-9"
1200SMX350-68	27'-11"	25'-5"	23'-11"	22'-2"	25'-5"	23'-1"	21'-8"	20'-2"
1200SMX350-97	31'-4"	28'-5"	26'-9"	24'-10"	28'-5"	25'-10"	24'-4"	22'-7"
1200SMX350-118	33'-2"	30'-2"	28'-4"	26'-4"	30'-2"	27'-4"	25'-9"	23'-11"

12" Members SECTION	40 PSF Dead Load plus 60 PSF Live Load							
	Live Load Deflection = L/360 Spacing (in) o.c.				Live Load Deflection = L/480 Spacing (in) o.c.			
	12	16	19.2	24	12	16	19.2	24
1200SMX200-54	22'-10"	20'-9"	19'-7"	18'-2"	21'-6"	19'-7"	18'-5"	17'-1"
1200SMX200-68	24'-6"	22'-3"	20'-11"	19'-5"	23'-0"	20'-11"	19'-8"	18'-3"
1200SMX200-97	27'-4"	24'-10"	23'-5"	21'-9"	25'-9"	23'-5"	22'-0"	20'-5"
1200SMX200-118	28'-11"	26'-3"	24'-9"	22'-11"	27'-3"	24'-9"	23'-3"	21'-7"
1200SMX250-54	23'-8"	21'-6"	20'-3"	18'-9"	22'-3"	20'-3"	19'-1"	17'-8"
1200SMX250-68	25'-4"	23'-0"	21'-8"	20'-1"	23'-10"	21'-8"	20'-5"	18'-11"
1200SMX250-97	28'-5"	25'-9"	24'-3"	22'-6"	26'-9"	24'-3"	22'-10"	21'-2"
1200SMX250-118	30'-0"	27'-3"	25'-8"	23'-10"	28'-3"	25'-8"	24'-2"	22'-5"
1200SMX300-54	24'-5"	22'-3"	20'-11"	19'-5"	23'-0"	20'-11"	19'-8"	18'-3"
1200SMX300-68	26'-2"	23'-9"	22'-5"	20'-9"	24'-8"	22'-5"	21'-1"	19'-7"
1200SMX300-97	29'-4"	26'-8"	25'-1"	23'-3"	27'-7"	25'-1"	23'-7"	21'-11"
1200SMX300-118	31'-1"	28'-3"	26'-7"	24'-8"	29'-3"	26'-7"	25'-0"	23'-2"
1200SMX350-54	25'-2"	22'-10"	21'-6"	20'-0"	23'-8"	21'-6"	20'-3"	18'-9"
1200SMX350-68	27'-0"	24'-6"	23'-1"	21'-5"	25'-5"	23'-1"	21'-8"	20'-2"
1200SMX350-97	30'-3"	27'-5"	25'-10"	24'-0"	28'-5"	25'-10"	24'-4"	22'-7"
1200SMX350-118	32'-0"	29'-1"	27'-4"	25'-5"	30'-2"	27'-4"	25'-9"	23'-11"

For more Information, visit our website at www.BuySuperStud.com or contact our team at 732-662-6200

This information reflects the most current information available and supersedes all previous publications. Revised March 2020.

© Super Stud Building Products, Inc.



MAXIMUM FLOOR JOIST SPANS (FT – IN)

12" Members SECTION	15 PSF Dead Load plus 125 PSF Live Load							
	Live Load Deflection = L/360 Spacing (in) o.c.				Live Load Deflection = L/480 Spacing (in) o.c.			
	12	16	19.2	24	12	16	19.2	24
1200SMX200-54	18'-6"	16'-10"	15'-10"	14'-8"	16'-10"	15'-4"	14'-5"	13'-4"
1200SMX200-68	19'-10"	18'-0"	16'-11"	15'-9"	18'-0"	16'-4"	15'-5"	14'-4"
1200SMX200-97	22'-2"	20'-2"	19'-0"	17'-7"	20'-2"	18'-4"	17'-3"	16'-0"
1200SMX200-118	23'-5"	21'-4"	20'-1"	18'-7"	21'-4"	19'-4"	18'-3"	16'-11"
1200SMX250-54	19'-2"	17'-5"	16'-5"	15'-3"	17'-5"	15'-10"	14'-11"	13'-10"
1200SMX250-68	20'-7"	18'-8"	17'-7"	16'-4"	18'-8"	17'-0"	16'-0"	14'-10"
1200SMX250-97	23'-0"	20'-11"	19'-8"	18'-3"	20'-11"	19'-0"	17'-10"	16'-7"
1200SMX250-118	24'-4"	22'-1"	20'-10"	19'-4"	22'-1"	20'-1"	18'-11"	17'-7"
1200SMX300-54	19'-10"	18'-0"	16'-11"	15'-9"	18'-0"	16'-4"	15'-5"	14'-3"
1200SMX300-68	21'-3"	19'-3"	18'-2"	16'-10"	19'-3"	17'-6"	16'-6"	15'-4"
1200SMX300-97	23'-9"	21'-7"	20'-4"	18'-10"	21'-7"	19'-7"	18'-6"	17'-2"
1200SMX300-118	25'-2"	22'-10"	21'-6"	20'-0"	22'-10"	20'-9"	19'-7"	18'-2"
1200SMX350-54	20'-5"	18'-6"	17'-5"	16'-2"	18'-6"	16'-10"	15'-10"	14'-8"
1200SMX350-68	21'-10"	19'-10"	18'-8"	17'-4"	19'-10"	18'-1"	17'-0"	15'-9"
1200SMX350-97	24'-6"	22'-3"	20'-11"	19'-5"	22'-3"	20'-3"	19'-0"	17'-8"
1200SMX350-118	26'-0"	23'-7"	22'-2"	20'-7"	23'-7"	21'-5"	20'-2"	18'-9"

12" Members SECTION	40 PSF Dead Load plus 125 PSF Live Load							
	Live Load Deflection = L/360 Spacing (in) o.c.				Live Load Deflection = L/480 Spacing (in) o.c.			
	12	16	19.2	24	12	16	19.2	24
1200SMX200-54	18'-6"	16'-10"	15'-10"	14'-8"	18'-6"	16'-10"	15'-10"	14'-8"
1200SMX200-68	19'-10"	18'-0"	16'-11"	15'-9"	19'-10"	18'-0"	16'-11"	15'-9"
1200SMX200-97	22'-2"	20'-2"	19'-0"	17'-7"	22'-2"	20'-2"	19'-0"	17'-7"
1200SMX200-118	23'-5"	21'-4"	20'-1"	18'-7"	23'-5"	21'-4"	20'-1"	18'-7"
1200SMX250-54	19'-2"	17'-5"	16'-5"	15'-3"	19'-2"	17'-5"	16'-5"	15'-3"
1200SMX250-68	20'-7"	18'-8"	17'-7"	16'-4"	20'-7"	18'-8"	17'-7"	16'-4"
1200SMX250-97	23'-0"	20'-11"	19'-8"	18'-3"	23'-0"	20'-11"	19'-8"	18'-3"
1200SMX250-118	24'-4"	22'-1"	20'-10"	19'-4"	24'-4"	22'-1"	20'-10"	19'-4"
1200SMX300-54	19'-10"	18'-0"	16'-11"	15'-9"	19'-10"	18'-0"	16'-11"	15'-9"
1200SMX300-68	21'-3"	19'-3"	18'-2"	16'-10"	21'-3"	19'-3"	18'-2"	16'-10"
1200SMX300-97	23'-9"	21'-7"	20'-4"	18'-10"	23'-9"	21'-7"	20'-4"	18'-10"
1200SMX300-118	25'-2"	22'-10"	21'-6"	20'-0"	25'-2"	22'-10"	21'-6"	20'-0"
1200SMX350-54	20'-5"	18'-6"	17'-5"	16'-2"	20'-5"	18'-6"	17'-5"	16'-2"
1200SMX350-68	21'-10"	19'-10"	18'-8"	17'-4"	21'-10"	19'-10"	18'-8"	17'-4"
1200SMX350-97	24'-6"	22'-3"	20'-11"	19'-5"	24'-6"	22'-3"	20'-11"	19'-5"
1200SMX350-118	26'-0"	23'-7"	22'-2"	20'-7"	26'-0"	23'-7"	22'-2"	20'-7"

For more Information, visit our website at www.BuySuperStud.com or contact our team at 732-662-6200

This information reflects the most current information available and supersedes all previous publications. Revised March 2020.

© Super Stud Building Products, Inc.



MAXIMUM FLOOR JOIST SPANS (FT – IN)

14" Members SECTION	15 PSF Dead Load plus 40 PSF Live Load							
	Live Load Deflection = L/360 Spacing (in) o.c.				Live Load Deflection = L/480 Spacing (in) o.c.			
	12	16	19.2	24	12	16	19.2	24
1400SMX200-68	33'-2"	30'-1"	28'-4"	26'-3"	30'-1"	27'-4"	25'-9"	23'-11"
1400SMX200-97	37'-3"	33'-10"	31'-10"	29'-6"	33'-10"	30'-9"	28'-11"	26'-10"
1400SMX200-118	39'-5"	35'-10"	33'-8"	31'-3"	35'-10"	32'-6"	30'-7"	28'-5"
1400SMX250-54	32'-2"	29'-3"	27'-6"	25'-6"	29'-3"	26'-6"	25'-0"	23'-2"
1400SMX250-68	34'-3"	31'-1"	29'-3"	27'-2"	31'-1"	28'-3"	26'-7"	24'-8"
1400SMX250-97	38'-6"	34'-11"	32'-11"	30'-6"	34'-11"	31'-9"	29'-10"	27'-9"
1400SMX250-118	40'-9"	37'-1"	34'-10"	32'-4"	37'-1"	33'-8"	31'-8"	29'-5"
1400SMX300-54	33'-1"	30'-1"	28'-4"	26'-3"	30'-1"	27'-4"	25'-8"	23'-10"
1400SMX300-68	35'-3"	32'-0"	30'-2"	28'-0"	32'-0"	29'-1"	27'-5"	25'-5"
1400SMX300-97	39'-8"	36'-0"	33'-11"	31'-5"	36'-0"	32'-9"	30'-9"	28'-7"
1400SMX300-118	42'-1"	38'-2"	35'-11"	33'-4"	38'-2"	34'-8"	32'-8"	30'-4"
1400SMX350-54	34'-0"	30'-11"	29'-1"	27'-0"	30'-11"	28'-1"	26'-5"	24'-6"
1400SMX350-68	36'-5"	33'-1"	31'-1"	28'-11"	33'-1"	30'-0"	28'-3"	26'-3"
1400SMX350-97	40'-9"	37'-0"	34'-10"	32'-4"	37'-0"	33'-8"	31'-8"	29'-4"
1400SMX350-118	43'-3"	39'-3"	37'-0"	34'-4"	39'-3"	35'-8"	33'-7"	31'-2"

14" Members SECTION	40 PSF Dead Load plus 40 PSF Live Load							
	Live Load Deflection = L/360 Spacing (in) o.c.				Live Load Deflection = L/480 Spacing (in) o.c.			
	12	16	19.2	24	12	16	19.2	24
1400SMX200-68	30'-1"	27'-4"	25'-9"	23'-11"	30'-1"	27'-4"	25'-9"	23'-11"
1400SMX200-97	33'-10"	30'-9"	28'-11"	26'-10"	33'-10"	30'-9"	28'-11"	26'-10"
1400SMX200-118	35'-10"	32'-6"	30'-7"	28'-5"	35'-10"	32'-6"	30'-7"	28'-5"
1400SMX250-54	29'-3"	26'-6"	25'-0"	23'-2"	29'-3"	26'-6"	25'-0"	23'-2"
1400SMX250-68	31'-1"	28'-3"	26'-7"	24'-8"	31'-1"	28'-3"	26'-7"	24'-8"
1400SMX250-97	34'-11"	31'-9"	29'-10"	27'-9"	34'-11"	31'-9"	29'-10"	27'-9"
1400SMX250-118	37'-1"	33'-8"	31'-8"	29'-5"	37'-1"	33'-8"	31'-8"	29'-5"
1400SMX300-54	30'-1"	27'-4"	25'-8"	23'-10"	30'-1"	27'-4"	25'-8"	23'-10"
1400SMX300-68	32'-0"	29'-1"	27'-5"	25'-5"	32'-0"	29'-1"	27'-5"	25'-5"
1400SMX300-97	36'-0"	32'-9"	30'-9"	28'-7"	36'-0"	32'-9"	30'-9"	28'-7"
1400SMX300-118	38'-2"	34'-8"	32'-8"	30'-4"	38'-2"	34'-8"	32'-8"	30'-4"
1400SMX350-54	30'-11"	28'-1"	26'-5"	24'-6"	30'-11"	28'-1"	26'-5"	24'-6"
1400SMX350-68	33'-1"	30'-0"	28'-3"	26'-3"	33'-1"	30'-0"	28'-3"	26'-3"
1400SMX350-97	37'-0"	33'-8"	31'-8"	29'-4"	37'-0"	33'-8"	31'-8"	29'-4"
1400SMX350-118	39'-3"	35'-8"	33'-7"	31'-2"	39'-3"	35'-8"	33'-7"	31'-2"



MAXIMUM FLOOR JOIST SPANS (FT – IN)

14" Members SECTION	15 PSF Dead Load plus 60 PSF Live Load								14" Members SECTION	40 PSF Dead Load plus 60 PSF Live Load							
	Live Load Deflection = L/360 Spacing (in) o.c.				Live Load Deflection = L/480 Spacing (in) o.c.					Live Load Deflection = L/360 Spacing (in) o.c.				Live Load Deflection = L/480 Spacing (in) o.c.			
	12	16	19.2	24	12	16	19.2	24		12	16	19.2	24	12	16	19.2	24
1400SMX200-68	28'-11"	26'-3"	24'-9"	22'-11"	26'-3"	23'-11"	22'-6"	20'-10"	1400SMX200-68	27'-11"	25'-4"	23'-11"	22'-2"	26'-3"	23'-11"	22'-6"	20'-10"
1400SMX200-97	32'-6"	29'-6"	27'-9"	25'-10"	29'-6"	26'-10"	25'-3"	23'-5"	1400SMX200-97	31'-5"	28'-6"	26'-10"	24'-11"	29'-6"	26'-10"	25'-3"	23'-5"
1400SMX200-118	34'-5"	31'-3"	29'-5"	27'-4"	31'-3"	28'-5"	26'-9"	24'-10"	1400SMX200-118	33'-3"	30'-2"	28'-5"	26'-4"	31'-3"	28'-5"	26'-9"	24'-10"
1400SMX250-54	28'-1"	25'-6"	24'-0"	22'-3"	25'-6"	23'-2"	21'-10"	20'-3"	1400SMX250-54	27'-1"	24'-8"	23'-2"	21'-6"	25'-6"	23'-2"	21'-10"	20'-3"
1400SMX250-68	29'-11"	27'-2"	25'-7"	23'-9"	27'-2"	24'-8"	23'-3"	21'-7"	1400SMX250-68	28'-10"	26'-3"	24'-8"	22'-11"	27'-2"	24'-8"	23'-3"	21'-7"
1400SMX250-97	33'-7"	30'-6"	28'-9"	26'-8"	30'-6"	27'-9"	26'-1"	24'-3"	1400SMX250-97	32'-5"	29'-6"	27'-9"	25'-9"	30'-6"	27'-9"	26'-1"	24'-3"
1400SMX250-118	35'-7"	32'-4"	30'-5"	28'-3"	32'-4"	29'-5"	27'-8"	25'-8"	1400SMX250-118	34'-5"	31'-3"	29'-5"	27'-3"	32'-4"	29'-5"	27'-8"	25'-8"
1400SMX300-54	28'-11"	26'-3"	24'-9"	22'-11"	26'-3"	23'-10"	22'-5"	20'-10"	1400SMX300-54	27'-11"	25'-4"	23'-10"	22'-2"	26'-3"	23'-10"	22'-5"	20'-10"
1400SMX300-68	30'-10"	28'-0"	26'-4"	24'-5"	28'-0"	25'-5"	23'-11"	22'-2"	1400SMX300-68	29'-9"	27'-0"	25'-5"	23'-7"	28'-0"	25'-5"	23'-11"	22'-2"
1400SMX300-97	34'-7"	31'-5"	29'-7"	27'-6"	31'-5"	28'-7"	26'-11"	24'-11"	1400SMX300-97	33'-5"	30'-4"	28'-7"	26'-6"	31'-5"	28'-7"	26'-11"	24'-11"
1400SMX300-118	36'-9"	33'-4"	31'-5"	29'-2"	33'-4"	30'-4"	28'-6"	26'-6"	1400SMX300-118	35'-5"	32'-3"	30'-4"	28'-2"	33'-4"	30'-4"	28'-6"	26'-6"
1400SMX350-54	29'-8"	27'-0"	25'-5"	23'-7"	27'-0"	24'-6"	23'-1"	21'-5"	1400SMX350-54	28'-8"	26'-0"	24'-6"	22'-9"	27'-0"	24'-6"	23'-1"	21'-5"
1400SMX350-68	31'-9"	28'-11"	27'-2"	25'-3"	28'-11"	26'-3"	24'-8"	22'-11"	1400SMX350-68	30'-8"	27'-11"	26'-3"	24'-4"	28'-11"	26'-3"	24'-8"	22'-11"
1400SMX350-97	35'-7"	32'-4"	30'-5"	28'-3"	32'-4"	29'-4"	27'-8"	25'-8"	1400SMX350-97	34'-4"	31'-3"	29'-4"	27'-3"	32'-4"	29'-4"	27'-8"	25'-8"
1400SMX350-118	37'-9"	34'-4"	32'-3"	30'-0"	34'-4"	31'-2"	29'-4"	27'-3"	1400SMX350-118	36'-6"	33'-2"	31'-2"	28'-11"	34'-4"	31'-2"	29'-4"	27'-3"



MAXIMUM FLOOR JOIST SPANS (FT – IN)

14" Members SECTION	15 PSF Dead Load plus 125 PSF Live Load							
	Live Load Deflection = L/360 Spacing (in) o.c.				Live Load Deflection = L/480 Spacing (in) o.c.			
	12	16	19.2	24	12	16	19.2	24
1400SMX200-68	22'-8"	20'-7"	19'-4"	18'-0"	20'-7"	18'-8"	17'-7"	16'-4"
1400SMX200-97	25'-5"	23'-1"	21'-9"	20'-2"	23'-1"	21'-0"	19'-9"	18'-4"
1400SMX200-118	26'-11"	24'-6"	23'-0"	21'-5"	24'-6"	22'-3"	20'-11"	19'-5"
1400SMX250-54	22'-0"	20'-0"	18'-9"	17'-5"	20'-0"	18'-2"	17'-1"	15'-10"
1400SMX250-68	23'-5"	21'-3"	20'-0"	18'-7"	21'-3"	19'-4"	18'-2"	16'-10"
1400SMX250-97	26'-4"	23'-11"	22'-6"	20'-10"	23'-11"	21'-8"	20'-5"	18'-11"
1400SMX250-118	27'-11"	25'-4"	23'-10"	22'-1"	25'-4"	23'-0"	21'-8"	20'-1"
1400SMX300-54	22'-8"	20'-7"	19'-4"	17'-11"	20'-7"	18'-8"	17'-7"	16'-4"
1400SMX300-68	24'-1"	21'-11"	20'-7"	19'-2"	21'-11"	19'-11"	18'-9"	17'-4"
1400SMX300-97	27'-1"	24'-7"	23'-2"	21'-6"	24'-7"	22'-4"	21'-1"	19'-6"
1400SMX300-118	28'-9"	26'-1"	24'-7"	22'-10"	26'-1"	23'-9"	22'-4"	20'-9"
1400SMX350-54	23'-3"	21'-1"	19'-10"	18'-5"	21'-1"	19'-2"	18'-0"	16'-9"
1400SMX350-68	24'-11"	22'-7"	21'-3"	19'-9"	22'-7"	20'-6"	19'-4"	17'-11"
1400SMX350-97	27'-10"	25'-4"	23'-10"	22'-1"	25'-4"	23'-0"	21'-8"	20'-1"
1400SMX350-118	29'-7"	26'-10"	25'-3"	23'-6"	26'-10"	24'-5"	23'-0"	21'-4"

14" Members SECTION	40 PSF Dead Load plus 125 PSF Live Load							
	Live Load Deflection = L/360 Spacing (in) o.c.				Live Load Deflection = L/480 Spacing (in) o.c.			
	12	16	19.2	24	12	16	19.2	24
1400SMX200-68	22'-8"	20'-7"	19'-4"	18'-0"	22'-8"	20'-7"	19'-4"	18'-0"
1400SMX200-97	25'-5"	23'-1"	21'-9"	20'-2"	25'-5"	23'-1"	21'-9"	20'-2"
1400SMX200-118	26'-11"	24'-6"	23'-0"	21'-5"	26'-11"	24'-6"	23'-0"	21'-5"
1400SMX250-54	22'-0"	20'-0"	18'-9"	17'-5"	22'-0"	20'-0"	18'-9"	17'-5"
1400SMX250-68	23'-5"	21'-3"	20'-0"	18'-7"	23'-5"	21'-3"	20'-0"	18'-7"
1400SMX250-97	26'-4"	23'-11"	22'-6"	20'-10"	26'-4"	23'-11"	22'-6"	20'-10"
1400SMX250-118	27'-11"	25'-4"	23'-10"	22'-1"	27'-11"	25'-4"	23'-10"	22'-1"
1400SMX300-54	22'-8"	20'-7"	19'-4"	17'-11"	22'-8"	20'-7"	19'-4"	17'-11"
1400SMX300-68	24'-1"	21'-11"	20'-7"	19'-2"	24'-1"	21'-11"	20'-7"	19'-2"
1400SMX300-97	27'-1"	24'-7"	23'-2"	21'-6"	27'-1"	24'-7"	23'-2"	21'-6"
1400SMX300-118	28'-9"	26'-1"	24'-7"	22'-10"	28'-9"	26'-1"	24'-7"	22'-10"
1400SMX350-54	23'-3"	21'-1"	19'-10"	18'-5"	23'-3"	21'-1"	19'-10"	18'-5"
1400SMX350-68	24'-11"	22'-7"	21'-3"	19'-9"	24'-11"	22'-7"	21'-3"	19'-9"
1400SMX350-97	27'-10"	25'-4"	23'-10"	22'-1"	27'-10"	25'-4"	23'-10"	22'-1"
1400SMX350-118	29'-7"	26'-10"	25'-3"	23'-6"	29'-7"	26'-10"	25'-3"	23'-6"



MAXIMUM FLOOR JOIST SPANS (FT – IN)

16" Members SECTION	15 PSF Dead Load plus 40 PSF Live Load							
	Live Load Deflection = L/360 Spacing (in) o.c.				Live Load Deflection = L/480 Spacing (in) o.c.			
	12	16	19.2	24	12	16	19.2	24
1600SMX200-97	40'-0"	36'-4"	34'-2"	31'-9"	36'-4"	33'-0"	31'-1"	28'-10"
1600SMX200-118	42'-4"	38'-6"	36'-2"	33'-7"	38'-6"	34'-11"	32'-11"	30'-6"
1600SMX250-68	37'-3"	33'-10"	31'-10"	29'-7"	33'-10"	30'-9"	28'-11"	26'-10"
1600SMX250-97	41'-5"	37'-8"	35'-5"	32'-10"	37'-8"	34'-2"	32'-2"	29'-10"
1600SMX250-118	43'-10"	39'-10"	37'-6"	34'-10"	39'-10"	36'-2"	34'-1"	31'-7"
1600SMX300-68	38'-5"	34'-11"	32'-10"	30'-6"	34'-11"	31'-9"	29'-10"	27'-8"
1600SMX300-97	42'-9"	38'-10"	36'-7"	33'-11"	38'-10"	35'-3"	33'-2"	30'-10"
1600SMX300-118	45'-4"	41'-2"	38'-9"	35'-11"	41'-2"	37'-5"	35'-2"	32'-8"
1600SMX350-68	39'-6"	35'-11"	33'-9"	31'-4"	35'-11"	32'-7"	30'-8"	28'-6"
1600SMX350-97	44'-0"	40'-0"	37'-7"	34'-11"	40'-0"	36'-4"	34'-2"	31'-9"
1600SMX350-118	46'-8"	42'-5"	39'-11"	37'-0"	42'-5"	38'-6"	36'-3"	33'-8"

16" Members SECTION	40 PSF Dead Load plus 40 PSF Live Load							
	Live Load Deflection = L/360 Spacing (in) o.c.				Live Load Deflection = L/480 Spacing (in) o.c.			
	12	16	19.2	24	12	16	19.2	24
1600SMX200-97	36'-4"	33'-0"	31'-1"	28'-10"	36'-4"	33'-0"	31'-1"	28'-10"
1600SMX200-118	38'-6"	34'-11"	32'-11"	30'-6"	38'-6"	34'-11"	32'-11"	30'-6"
1600SMX250-68	33'-10"	30'-9"	28'-11"	26'-10"	33'-10"	30'-9"	28'-11"	26'-10"
1600SMX250-97	37'-8"	34'-2"	32'-2"	29'-10"	37'-8"	34'-2"	32'-2"	29'-10"
1600SMX250-118	39'-10"	36'-2"	34'-1"	31'-7"	39'-10"	36'-2"	34'-1"	31'-7"
1600SMX300-68	34'-11"	31'-9"	29'-10"	27'-8"	34'-11"	31'-9"	29'-10"	27'-8"
1600SMX300-97	38'-10"	35'-3"	33'-2"	30'-10"	38'-10"	35'-3"	33'-2"	30'-10"
1600SMX300-118	41'-2"	37'-5"	35'-2"	32'-8"	41'-2"	37'-5"	35'-2"	32'-8"
1600SMX350-68	35'-11"	32'-7"	30'-8"	28'-6"	35'-11"	32'-7"	30'-8"	28'-6"
1600SMX350-97	40'-0"	36'-4"	34'-2"	31'-9"	40'-0"	36'-4"	34'-2"	31'-9"
1600SMX350-118	42'-5"	38'-6"	36'-3"	33'-8"	42'-5"	38'-6"	36'-3"	33'-8"



MAXIMUM FLOOR JOIST SPANS (FT – IN)

16" Members SECTION	15 PSF Dead Load plus 60 PSF Live Load							
	Live Load Deflection = L/360 Spacing (in) o.c.				Live Load Deflection = L/480 Spacing (in) o.c.			
	12	16	19.2	24	12	16	19.2	24
1600SMX200-97	34'-11"	31'-9"	29'-11"	27'-9"	31'-9"	28'-10"	27'-2"	25'-2"
1600SMX200-118	37'-0"	33'-7"	31'-7"	29'-4"	33'-7"	30'-6"	28'-9"	26'-8"
1600SMX250-68	32'-7"	29'-7"	27'-10"	25'-10"	29'-7"	26'-10"	25'-3"	23'-6"
1600SMX250-97	36'-2"	32'-10"	30'-11"	28'-9"	32'-10"	29'-10"	28'-1"	26'-1"
1600SMX250-118	38'-4"	34'-10"	32'-9"	30'-5"	34'-10"	31'-7"	29'-9"	27'-7"
1600SMX300-68	33'-7"	30'-6"	28'-8"	26'-8"	30'-6"	27'-8"	26'-1"	24'-2"
1600SMX300-97	37'-4"	33'-11"	31'-11"	29'-8"	33'-11"	30'-10"	29'-0"	26'-11"
1600SMX300-118	39'-7"	35'-11"	33'-10"	31'-5"	35'-11"	32'-8"	30'-9"	28'-6"
1600SMX350-68	34'-6"	31'-4"	29'-6"	27'-5"	31'-4"	28'-6"	26'-10"	24'-11"
1600SMX350-97	38'-5"	34'-11"	32'-10"	30'-6"	34'-11"	31'-9"	29'-10"	27'-8"
1600SMX350-118	40'-9"	37'-0"	34'-10"	32'-4"	37'-0"	33'-8"	31'-8"	29'-5"

16" Members SECTION	40 PSF Dead Load plus 60 PSF Live Load							
	Live Load Deflection = L/360 Spacing (in) o.c.				Live Load Deflection = L/480 Spacing (in) o.c.			
	12	16	19.2	24	12	16	19.2	24
1600SMX200-97	33'-9"	30'-8"	28'-10"	26'-9"	31'-9"	28'-10"	27'-2"	25'-2"
1600SMX200-118	35'-8"	32'-5"	30'-6"	28'-4"	33'-7"	30'-6"	28'-9"	26'-8"
1600SMX250-68	31'-5"	28'-7"	26'-10"	24'-11"	29'-7"	26'-10"	25'-3"	23'-6"
1600SMX250-97	34'-11"	31'-9"	29'-10"	27'-9"	32'-10"	29'-10"	28'-1"	26'-1"
1600SMX250-118	37'-0"	33'-7"	31'-7"	29'-4"	34'-10"	31'-7"	29'-9"	27'-7"
1600SMX300-68	32'-5"	29'-5"	27'-8"	25'-9"	30'-6"	27'-8"	26'-1"	24'-2"
1600SMX300-97	36'-1"	32'-9"	30'-10"	28'-7"	33'-11"	30'-10"	29'-0"	26'-11"
1600SMX300-118	38'-2"	34'-9"	32'-8"	30'-4"	35'-11"	32'-8"	30'-9"	28'-6"
1600SMX350-68	33'-4"	30'-3"	28'-6"	26'-5"	31'-4"	28'-6"	26'-10"	24'-11"
1600SMX350-97	37'-1"	33'-8"	31'-9"	29'-5"	34'-11"	31'-9"	29'-10"	27'-8"
1600SMX350-118	39'-4"	35'-9"	33'-8"	31'-3"	37'-0"	33'-8"	31'-8"	29'-5"



MAXIMUM FLOOR JOIST SPANS (FT – IN)

16" Members SECTION	15 PSF Dead Load plus 125 PSF Live Load							
	Live Load Deflection = L/360 Spacing (in) o.c.				Live Load Deflection = L/480 Spacing (in) o.c.			
	12	16	19.2	24	12	16	19.2	24
1600SMX200-97	27'-4"	24'-10"	23'-5"	21'-8"	24'-10"	22'-7"	21'-3"	19'-9"
1600SMX200-118	28'-11"	26'-4"	24'-9"	23'-0"	26'-4"	23'-11"	22'-6"	20'-10"
1600SMX250-68	25'-6"	23'-2"	21'-9"	20'-3"	23'-2"	21'-0"	19'-9"	18'-4"
1600SMX250-97	28'-4"	25'-9"	24'-3"	22'-6"	25'-9"	23'-4"	22'-0"	20'-5"
1600SMX250-118	30'-0"	27'-3"	25'-8"	23'-10"	27'-3"	24'-9"	23'-3"	21'-7"
1600SMX300-68	26'-3"	23'-10"	22'-5"	20'-10"	23'-10"	21'-8"	20'-5"	18'-11"
1600SMX300-97	29'-3"	26'-7"	25'-0"	23'-2"	26'-7"	24'-1"	22'-8"	21'-1"
1600SMX300-118	31'-0"	28'-2"	26'-6"	24'-7"	28'-2"	25'-7"	24'-1"	22'-4"
1600SMX350-68	27'-0"	24'-7"	23'-1"	21'-5"	24'-7"	22'-4"	21'-0"	19'-6"
1600SMX350-97	30'-1"	27'-4"	25'-9"	23'-10"	27'-4"	24'-10"	23'-4"	21'-8"
1600SMX350-118	31'-11"	29'-0"	27'-3"	25'-4"	29'-0"	26'-4"	24'-9"	23'-0"

16" Members SECTION	40 PSF Dead Load plus 125 PSF Live Load							
	Live Load Deflection = L/360 Spacing (in) o.c.				Live Load Deflection = L/480 Spacing (in) o.c.			
	12	16	19.2	24	12	16	19.2	24
1600SMX200-97	27'-4"	24'-10"	23'-5"	21'-8"	27'-4"	24'-10"	23'-5"	21'-8"
1600SMX200-118	28'-11"	26'-4"	24'-9"	23'-0"	28'-11"	26'-4"	24'-9"	23'-0"
1600SMX250-68	25'-6"	23'-2"	21'-9"	20'-3"	25'-6"	23'-2"	21'-9"	20'-3"
1600SMX250-97	28'-4"	25'-9"	24'-3"	22'-6"	28'-4"	25'-9"	24'-3"	22'-6"
1600SMX250-118	30'-0"	27'-3"	25'-8"	23'-10"	30'-0"	27'-3"	25'-8"	23'-10"
1600SMX300-68	26'-3"	23'-10"	22'-5"	20'-10"	26'-3"	23'-10"	22'-5"	20'-10"
1600SMX300-97	29'-3"	26'-7"	25'-0"	23'-2"	29'-3"	26'-7"	25'-0"	23'-2"
1600SMX300-118	31'-0"	28'-2"	26'-6"	24'-7"	31'-0"	28'-2"	26'-6"	24'-7"
1600SMX350-68	27'-0"	24'-7"	23'-1"	21'-5"	27'-0"	24'-7"	23'-1"	21'-5"
1600SMX350-97	30'-1"	27'-4"	25'-9"	23'-10"	30'-1"	27'-4"	25'-9"	23'-10"
1600SMX350-118	31'-11"	29'-0"	27'-3"	25'-4"	31'-11"	29'-0"	27'-3"	25'-4"



MAXIMUM FLOOR JOIST SPANS (FT – IN)

18" Members	15 PSF Dead Load plus 40 PSF Live Load							
	Live Load Deflection = L/360				Live Load Deflection = L/480			
	Spacing (in) o.c.				Spacing (in) o.c.			
SECTION	12	16	19.2	24	12	16	19.2	24
1800SMX200-68	40'-6"	36'-9"	34'-7"	32'-2"	36'-9"	33'-5"	31'-5"	29'-2"
1800SMX200-97	45'-0"	40'-11"	38'-6"	35'-9"	40'-11"	37'-2"	35'-0"	32'-5"
1800SMX200-118	47'-8"	43'-4"	40'-9"	37'-10"	43'-4"	39'-4"	37'-0"	34'-5"
1800SMX250-68	41'-9"	37'-11"	35'-8"	33'-1"	37'-11"	34'-5"	32'-5"	30'-1"
1800SMX250-97	46'-5"	42'-2"	39'-8"	36'-10"	42'-2"	38'-4"	36'-1"	33'-6"
1800SMX250-118	49'-3"	44'-9"	42'-1"	39'-1"	44'-9"	40'-8"	38'-3"	35'-6"
1800SMX300-68	42'-11"	39'-0"	36'-8"	34'-0"	39'-0"	35'-5"	33'-4"	30'-11"
1800SMX300-97	47'-9"	43'-5"	40'-10"	37'-11"	43'-5"	39'-5"	37'-1"	34'-5"
1800SMX300-118	50'-8"	46'-1"	43'-4"	40'-3"	46'-1"	41'-10"	39'-4"	36'-7"
1800SMX350-68	44'-0"	40'-0"	37'-7"	34'-11"	40'-0"	36'-4"	34'-2"	31'-9"
1800SMX350-97	49'-1"	44'-7"	41'-11"	38'-11"	44'-7"	40'-6"	38'-1"	35'-4"
1800SMX350-118	52'-1"	47'-4"	44'-6"	41'-4"	47'-4"	43'-0"	40'-5"	37'-6"

18" Members	40 PSF Dead Load plus 40 PSF Live Load							
	Live Load Deflection = L/360				Live Load Deflection = L/480			
	Spacing (in) o.c.				Spacing (in) o.c.			
SECTION	12	16	19.2	24	12	16	19.2	24
1800SMX200-68	36'-9"	33'-5"	31'-5"	29'-2"	36'-9"	33'-5"	31'-5"	29'-2"
1800SMX200-97	40'-11"	37'-2"	35'-0"	32'-5"	40'-11"	37'-2"	35'-0"	32'-5"
1800SMX200-118	43'-4"	39'-4"	37'-0"	34'-5"	43'-4"	39'-4"	37'-0"	34'-5"
1800SMX250-68	37'-11"	34'-5"	32'-5"	30'-1"	37'-11"	34'-5"	32'-5"	30'-1"
1800SMX250-97	42'-2"	38'-4"	36'-1"	33'-6"	42'-2"	38'-4"	36'-1"	33'-6"
1800SMX250-118	44'-9"	40'-8"	38'-3"	35'-6"	44'-9"	40'-8"	38'-3"	35'-6"
1800SMX300-68	39'-0"	35'-5"	33'-4"	30'-11"	39'-0"	35'-5"	33'-4"	30'-11"
1800SMX300-97	43'-5"	39'-5"	37'-1"	34'-5"	43'-5"	39'-5"	37'-1"	34'-5"
1800SMX300-118	46'-1"	41'-10"	39'-4"	36'-7"	46'-1"	41'-10"	39'-4"	36'-7"
1800SMX350-68	40'-0"	36'-4"	34'-2"	31'-9"	40'-0"	36'-4"	34'-2"	31'-9"
1800SMX350-97	44'-7"	40'-6"	38'-1"	35'-4"	44'-7"	40'-6"	38'-1"	35'-4"
1800SMX350-118	47'-4"	43'-0"	40'-5"	37'-6"	47'-4"	43'-0"	40'-5"	37'-6"



MAXIMUM FLOOR JOIST SPANS (FT – IN)

18" Members SECTION	15 PSF Dead Load plus 60 PSF Live Load							
	Live Load Deflection = L/360				Live Load Deflection = L/480			
	Spacing (in) o.c.				Spacing (in) o.c.			
	12	16	19.2	24	12	16	19.2	24
1800SMX200-68	35'-4"	32'-2"	30'-3"	28'-1"	32'-2"	29'-2"	27'-6"	25'-6"
1800SMX200-97	39'-4"	35'-9"	33'-7"	31'-2"	35'-9"	32'-5"	30'-6"	28'-4"
1800SMX200-118	41'-8"	37'-10"	35'-7"	33'-1"	37'-10"	34'-5"	32'-4"	30'-0"
1800SMX250-68	36'-5"	33'-1"	31'-2"	28'-11"	33'-1"	30'-1"	28'-4"	26'-3"
1800SMX250-97	40'-7"	36'-10"	34'-8"	32'-2"	36'-10"	33'-6"	31'-6"	29'-3"
1800SMX250-118	43'-0"	39'-1"	36'-9"	34'-1"	39'-1"	35'-6"	33'-5"	31'-0"
1800SMX300-68	37'-6"	34'-0"	32'-0"	29'-9"	34'-0"	30'-11"	29'-1"	27'-0"
1800SMX300-97	41'-9"	37'-11"	35'-8"	33'-1"	37'-11"	34'-5"	32'-5"	30'-1"
1800SMX300-118	44'-3"	40'-3"	37'-10"	35'-2"	40'-3"	36'-7"	34'-5"	31'-11"
1800SMX350-68	38'-5"	34'-11"	32'-10"	30'-6"	34'-11"	31'-9"	29'-10"	27'-8"
1800SMX350-97	42'-10"	38'-11"	36'-7"	34'-0"	38'-11"	35'-4"	33'-3"	30'-11"
1800SMX350-118	45'-6"	41'-4"	38'-10"	36'-1"	41'-4"	37'-6"	35'-4"	32'-9"

18" Members SECTION	40 PSF Dead Load plus 60 PSF Live Load							
	Live Load Deflection = L/360				Live Load Deflection = L/480			
	Spacing (in) o.c.				Spacing (in) o.c.			
	12	16	19.2	24	12	16	19.2	24
1800SMX200-68	34'-2"	31'-0"	29'-2"	27'-1"	32'-2"	29'-2"	27'-6"	25'-6"
1800SMX200-97	38'-0"	34'-6"	32'-5"	30'-1"	35'-9"	32'-5"	30'-6"	28'-4"
1800SMX200-118	40'-3"	36'-6"	34'-5"	31'-11"	37'-10"	34'-5"	32'-4"	30'-0"
1800SMX250-68	35'-2"	32'-0"	30'-1"	27'-11"	33'-1"	30'-1"	28'-4"	26'-3"
1800SMX250-97	39'-2"	35'-7"	33'-6"	31'-1"	36'-10"	33'-6"	31'-6"	29'-3"
1800SMX250-118	41'-6"	37'-9"	35'-6"	32'-11"	39'-1"	35'-6"	33'-5"	31'-0"
1800SMX300-68	36'-2"	32'-10"	30'-11"	28'-8"	34'-0"	30'-11"	29'-1"	27'-0"
1800SMX300-97	40'-3"	36'-7"	34'-5"	32'-0"	37'-11"	34'-5"	32'-5"	30'-1"
1800SMX300-118	42'-9"	38'-10"	36'-7"	33'-11"	40'-3"	36'-7"	34'-5"	31'-11"
1800SMX350-68	37'-1"	33'-8"	31'-9"	29'-5"	34'-11"	31'-9"	29'-10"	27'-8"
1800SMX350-97	41'-4"	37'-7"	35'-4"	32'-10"	38'-11"	35'-4"	33'-3"	30'-11"
1800SMX350-118	43'-11"	39'-11"	37'-6"	34'-10"	41'-4"	37'-6"	35'-4"	32'-9"



MAXIMUM FLOOR JOIST SPANS (FT – IN)

18" Members	15 PSF Dead Load plus 125 PSF Live Load							
	Live Load Deflection = L/360				Live Load Deflection = L/480			
	Spacing (in) o.c.				Spacing (in) o.c.			
	SECTION	12	16	19.2	24	12	16	19.2
1800SMX200-68	27'-8"	25'-2"	23'-8"	22'-0"	25'-2"	22'-10"	21'-6"	19'-11"
1800SMX200-97	30'-9"	28'-0"	26'-4"	24'-5"	28'-0"	25'-5"	23'-11"	22'-2"
1800SMX200-118	32'-7"	29'-7"	27'-10"	25'-10"	29'-7"	26'-11"	25'-4"	23'-6"
1800SMX250-68	28'-6"	25'-11"	24'-5"	22'-8"	25'-11"	23'-6"	22'-2"	20'-7"
1800SMX250-97	31'-9"	28'-10"	27'-2"	25'-2"	28'-10"	26'-2"	24'-8"	22'-11"
1800SMX250-118	33'-8"	30'-7"	28'-9"	26'-8"	30'-7"	27'-9"	26'-2"	24'-3"
1800SMX300-68	29'-4"	26'-8"	25'-1"	23'-3"	26'-8"	24'-2"	22'-9"	21'-2"
1800SMX300-97	32'-8"	29'-8"	27'-11"	25'-11"	29'-8"	27'-0"	25'-4"	23'-7"
1800SMX300-118	34'-8"	31'-6"	29'-8"	27'-6"	31'-6"	28'-7"	26'-11"	25'-0"
1800SMX350-68	30'-1"	27'-4"	25'-9"	23'-10"	27'-4"	24'-10"	23'-4"	21'-8"
1800SMX350-97	33'-6"	30'-6"	28'-8"	26'-7"	30'-6"	27'-8"	26'-0"	24'-2"
1800SMX350-118	35'-7"	32'-4"	30'-5"	28'-3"	32'-4"	29'-5"	27'-8"	25'-8"

18" Members	40 PSF Dead Load plus 125 PSF Live Load							
	Live Load Deflection = L/360				Live Load Deflection = L/480			
	Spacing (in) o.c.				Spacing (in) o.c.			
	SECTION	12	16	19.2	24	12	16	19.2
1800SMX200-68	27'-8"	25'-2"	23'-8"	22'-0"	27'-8"	25'-2"	23'-8"	22'-0"
1800SMX200-97	30'-9"	28'-0"	26'-4"	24'-5"	30'-9"	28'-0"	26'-4"	24'-5"
1800SMX200-118	32'-7"	29'-7"	27'-10"	25'-10"	32'-7"	29'-7"	27'-10"	25'-10"
1800SMX250-68	28'-6"	25'-11"	24'-5"	22'-8"	28'-6"	25'-11"	24'-5"	22'-8"
1800SMX250-97	31'-9"	28'-10"	27'-2"	25'-2"	31'-9"	28'-10"	27'-2"	25'-2"
1800SMX250-118	33'-8"	30'-7"	28'-9"	26'-8"	33'-8"	30'-7"	28'-9"	26'-8"
1800SMX300-68	29'-4"	26'-8"	25'-1"	23'-3"	29'-4"	26'-8"	25'-1"	23'-3"
1800SMX300-97	32'-8"	29'-8"	27'-11"	25'-11"	32'-8"	29'-8"	27'-11"	25'-11"
1800SMX300-118	34'-8"	31'-6"	29'-8"	27'-6"	34'-8"	31'-6"	29'-8"	27'-6"
1800SMX350-68	30'-1"	27'-4"	25'-9"	23'-10"	30'-1"	27'-4"	25'-9"	23'-10"
1800SMX350-97	33'-6"	30'-6"	28'-8"	26'-7"	33'-6"	30'-6"	28'-8"	26'-7"
1800SMX350-118	35'-7"	32'-4"	30'-5"	28'-3"	35'-7"	32'-4"	30'-5"	28'-3"

Super Stud™

Building Products, Inc.

WWW.BUYSUPERSTUD.COM | 800-477-7883

The EDGE™ Steel Framing Drywall System | Structural Load-Bearing & Curtain Wall Framing Solutions | Clips, Connectors, & Framing Accessories | Architectural Specifications | Engineering Services

Affiliate Companies. Design-Build Solutions.



Manufacturer of cold-formed steel framing components, studs, joists and accessories.

[732] 662-6200
buysuperstud.com



Licensed manufacturer of the FroMar™ steel structural panel system.

[601] 584-7550
fromarsystems.com



Water Management, One Coat, Direct Applied and EIFS wall systems.

[888] 343-7462
energexwallsystems.com



Distributors of magnesium oxide sheathing. DragonBoard is mold, mildew, water, fire and impact resistant. UL Classified.

[732] 662-6275
dragonboard.com



Manufacturers of stock and custom hollow metal doors and frames. UL, Factory Mutual and MEA certified.

[800] 294-8199
galaxymetalproducts.com

AMERICAN OWNED & OPERATED SINCE 1973

MISSISSIPPI FACILITY
53 W L Runnels Ind Dr
Hattiesburg, MS 39401
P: 601-584-7550
www.buysuperstud.com

NEW JERSEY FACILITY
2960 Woodbridge Ave
Edison, NJ 08837
P: 732-662-6200
www.buysuperstud.com



The technical content of this literature is effective 03.20.2020 and supersedes all previous information.